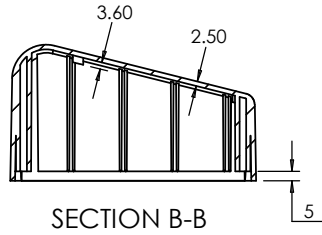


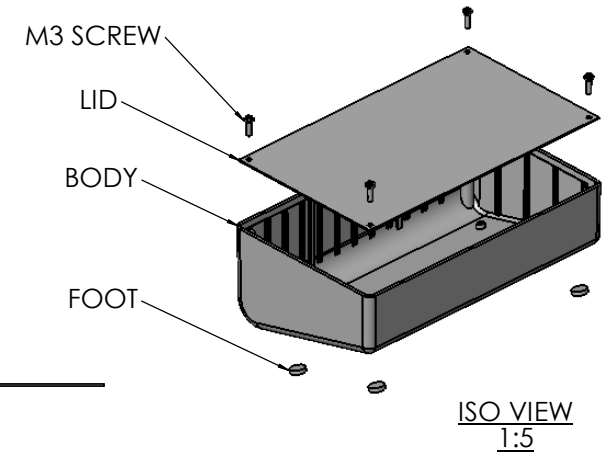
OVERALL ASSEMBLY DIMENSIONS:

EXTERNAL - 215 x 130 x 72max / 47min

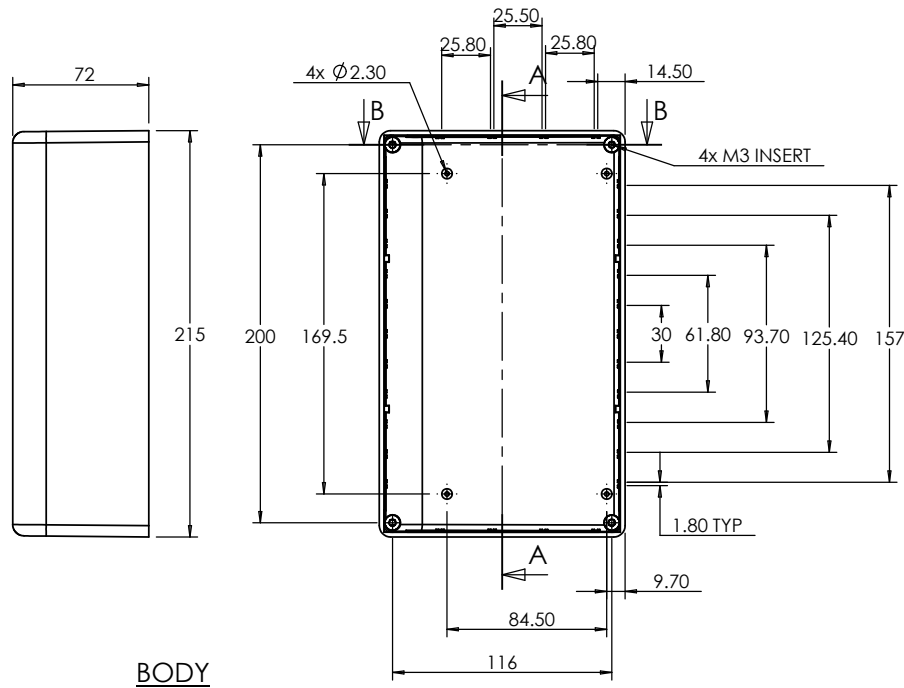
INTERNAL - 210 x 125 x 64max / 39min



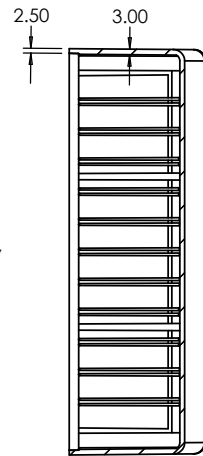
SECTION B-B



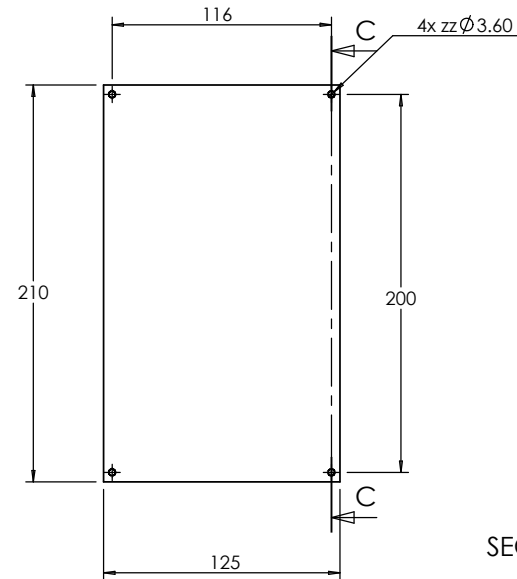
ISO VIEW  
1:5



BODY

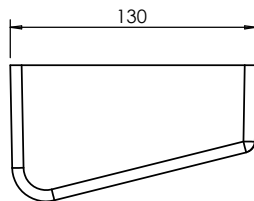


SECTION A-A



SECTION C-C

LID



130

<p>JAMES CARTER RD, MILDENHALL, SUFFOLK. IP28 7DE TEL: 01638 716101 FAX: 01638 716554 EMAIL: SALES@BOSS-ENCLOSURES.CO.UK WEB: www.BOSS-ENCLOSURES.CO.UK</p>				UNLESS OTHERWISE SPECIFIED: DIMENSIONS ARE IN MILLIMETERS		DO NOT SCALE DRAWING		REVISION. 0		
				FINISH. SMOOTH		TITLE: ASSEMBLY DRG FOR 1006				
DRAWN S.HARDINGE		SIGNED SJH		DATE 19/01/06		MATERIAL. VAR		DWG NO. 1006		A4
CHK'D -		-		-		PROJECTION. 		SCALE: 1:4		SHEET 1 OF 1