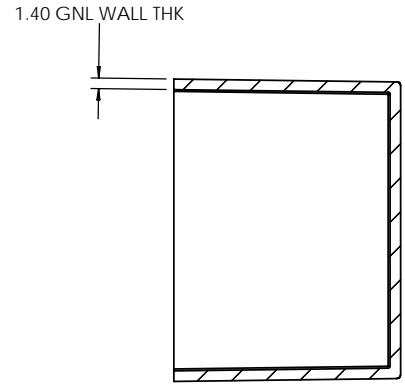
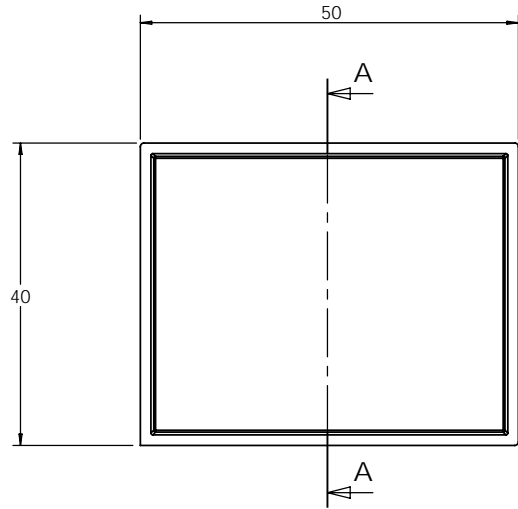
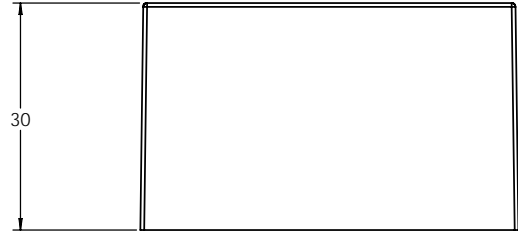
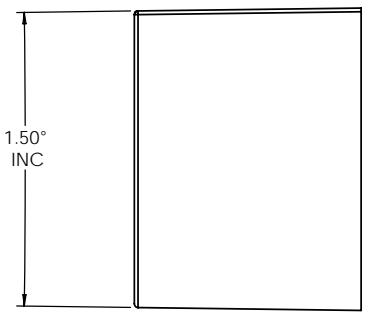



ISO VIEW  
1:2



SECTION A-A



 JAMES CARTER RD, MILDENHALL, SUFFOLK. IP28 7DE TEL: 01638 716101 FAX: 01638 716554 EMAIL: SALES@BOSS-ENCLOSURES.CO.UK WEB: www.BOSS-ENCLOSURES.CO.UK				UNLESS OTHERWISE SPECIFIED: DIMENSIONS ARE IN MILLIMETERS		DO NOT SCALE DRAWING		REVISION. 0	
				FINISH: <b>LIGHT SPARK</b>		TITLE: <b>PART DRG FOR 104 POTTING BOX</b>			
DRAWN		NAME	SIGNED	DATE	MATERIAL.	DWG NO.			
S.HARDINGE		SJH		27/02/08	ABS	104		A4	
CHK'D		-	-	-	PROJECTION.	SCALE: 1:1		SHEET 1 OF 1	