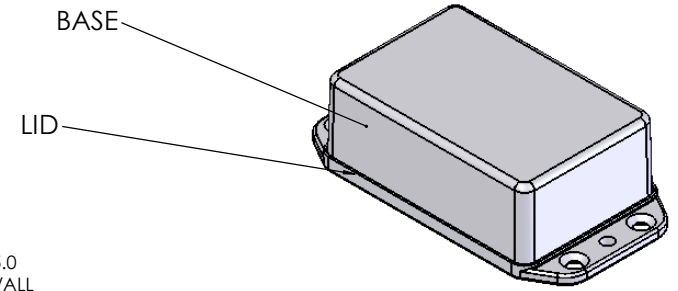


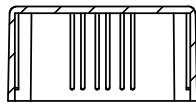
OVERALL ASSEMBLY DIMENSIONS:

EXTERNAL - 99 x 52 x 28

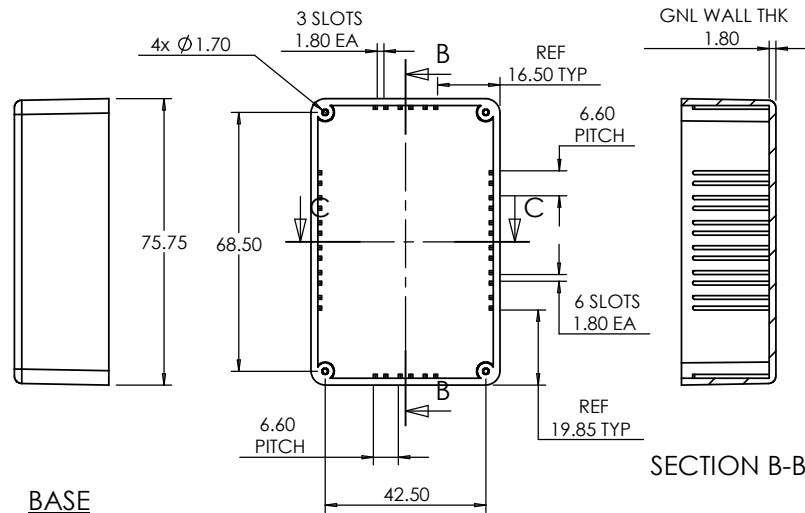
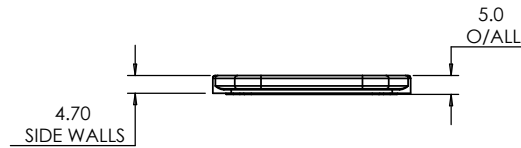
INTERNAL - 71.75 x 45.5 x 25



ISO VIEW  
1:2

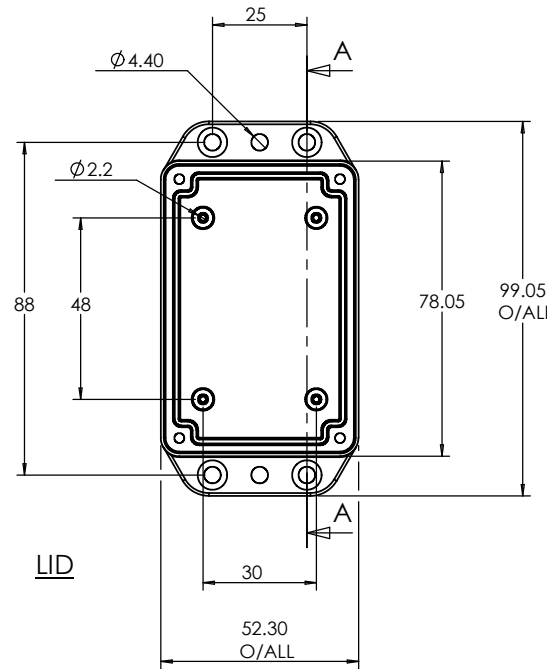


SECTION C-C



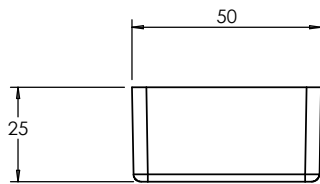
BASE

SECTION B-B



LID

SECTION A-A



<p>JAMES CARTER RD, MILDENHALL, SUFFOLK. IP28 7DE TEL: 01638 716101 FAX: 01638 716554 EMAIL: SALES@BOSS-ENCLOSURES.CO.UK WEB: www.BOSS-ENCLOSURES.CO.UK</p>				UNLESS OTHERWISE SPECIFIED: DIMENSIONS ARE IN MILLIMETERS		DO NOT SCALE DRAWING		REVISION. 0		
				FINISH: <b>SMOOTH</b>		TITLE: <b>GNL ASSY DRG FOR IP 2000-SERIES ENCLOSURE</b>				
DRAWN S.HARDINGE		SIGNED SJH		DATE 11/11/08		MATERIAL: <b>ABS</b>		DWG NO. <b>2000-IP</b>		A4
CHK'D -		-		-		PROJECTION.		SCALE: 1:2		SHEET 1 OF 1