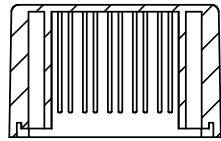
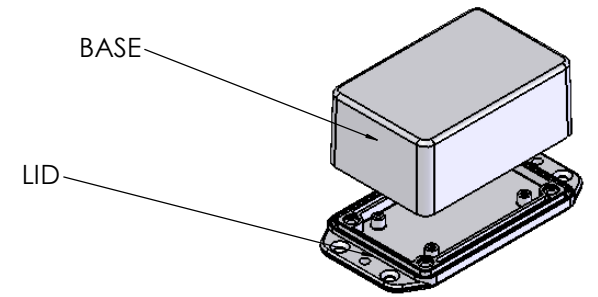


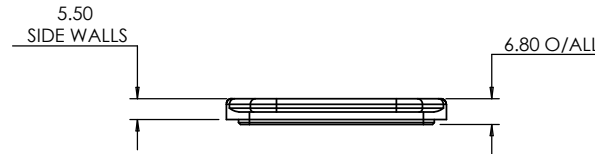
OVERALL ASSEMBLY DIMENSIONS:

EXTERNAL - 108 x 58 x 38.5

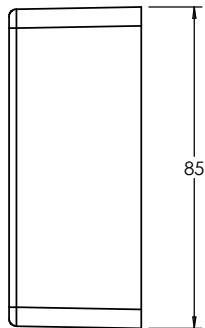
INTERNAL - 81.4 x 52.4 x 34.5



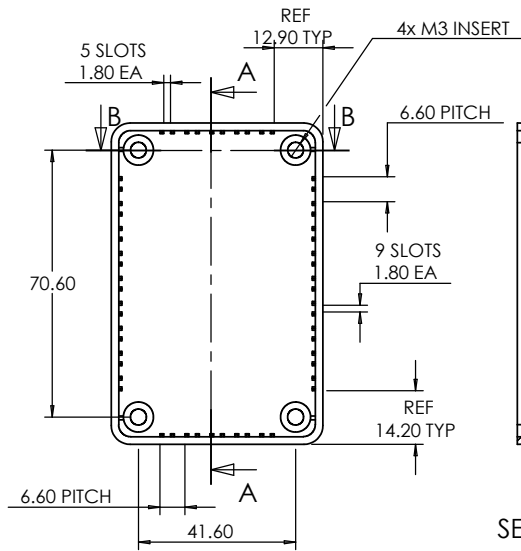
SECTION B-B



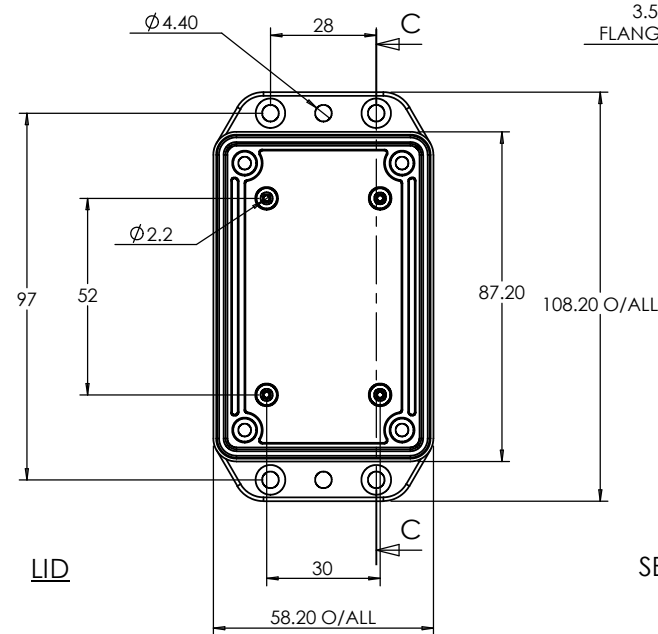
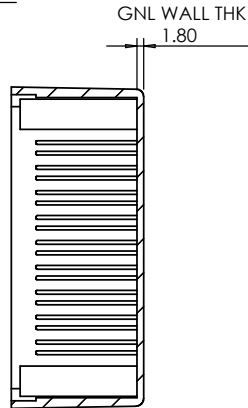
ISO VIEW
1:3



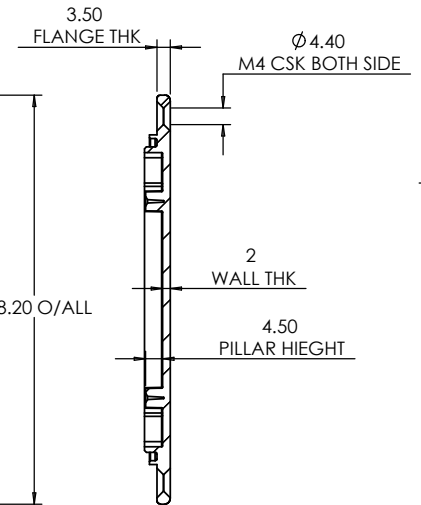
BASE



SECTION A-A



LID



SECTION C-C

		UNLESS OTHERWISE SPECIFIED: DIMENSIONS ARE IN MILLIMETERS		DO NOT SCALE DRAWING	REVISION. 0
		FINISH: SMOOTH		TITLE: ASSEMBLY DRG FOR 2001/11-IP	
JAMES CARTER RD, MILDENHALL, SUFFOLK. IP28 7DE TEL: 01638 716101 FAX: 01638 716554 EMAIL: SALES@BOSS-ENCLOSURES.CO.UK WEB: www.BOSS-ENCLOSURES.CO.UK		MATERIAL: ABS	DWG NO. 2001-IP	A4	
DRAWN	S.HARDINGE	SIGNED	SJH	DATE	30/09/05
CHK'D	-	-	-	PROJECTION.	SCALE: 1 : 2
				SHEET 1 OF 1	