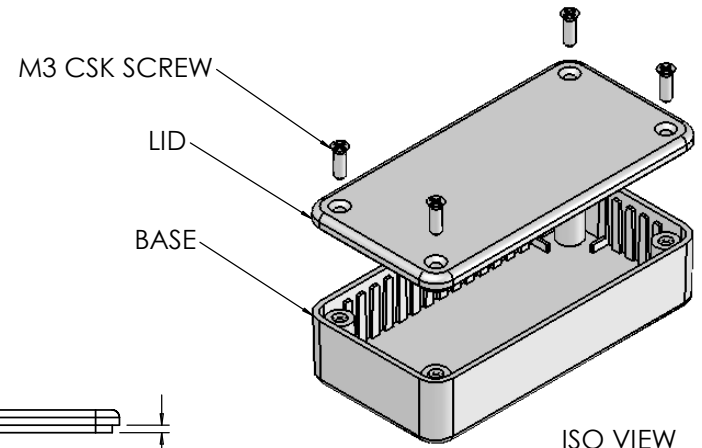


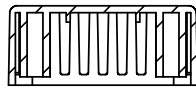
OVERALL ASSEMBLY DIMENSIONS:

EXTERNAL - 100 x 50 x 25

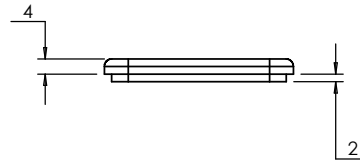
INTERNAL - 96.4 x 46.4 x 21.4



ISO VIEW



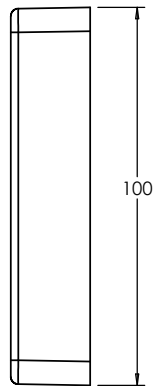
SECTION B-B



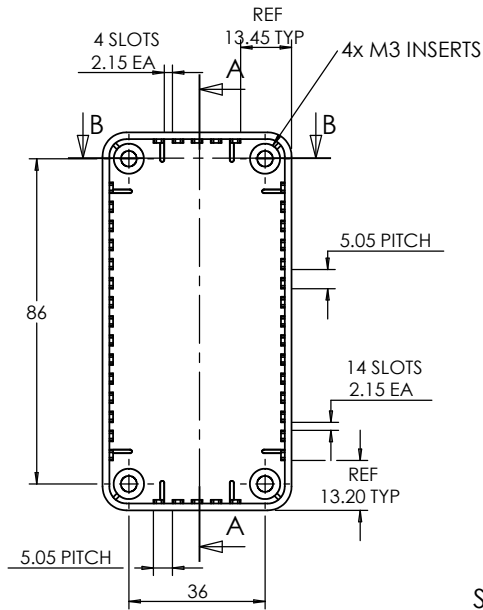
M3 CSK SCREW

LID

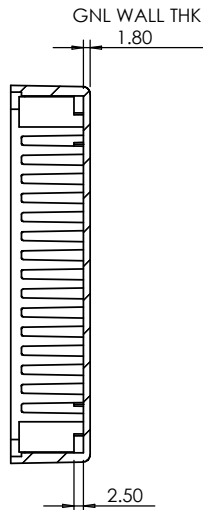
BASE



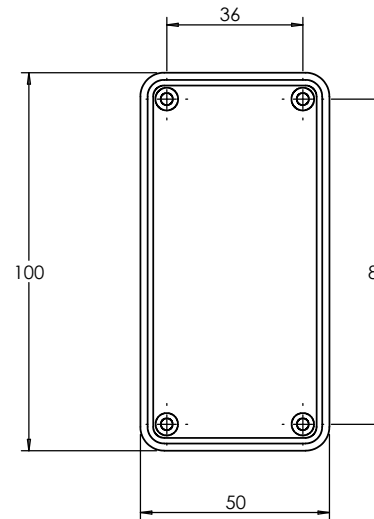
100



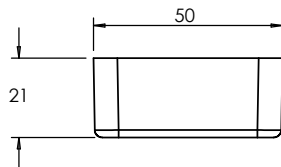
BASE



SECTION A-A



LID



21

<p>JAMES CARTER RD, MILDENHALL, SUFFOLK. IP28 7DE          TEL: 01638 716101 FAX: 01638 716554          EMAIL: SALES@BOSS-ENCLOSURES.CO.UK          WEB: www.BOSS-ENCLOSURES.CO.UK</p>				UNLESS OTHERWISE SPECIFIED: DIMENSIONS ARE IN MILLIMETERS		DO NOT SCALE DRAWING		REVISION. 0		
				FINISH: SMOOTH		TITLE: ASSEMBLY DRG FOR 2002/12				
DRAWN S.HARDINGE		SIGNED SJH		DATE 04/10/05		MATERIAL: ABS		DWG NO. 2002,12		A4
CHK'D -		-		-		PROJECTION.		SCALE: 1 : 2		SHEET 1 OF 1