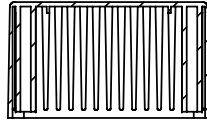


OVERALL ASSEMBLY DIMENSIONS:

EXTERNAL - 150 (171.5) x 80 x 50

INTERNAL - 146.4 x 76.4 x 46.5

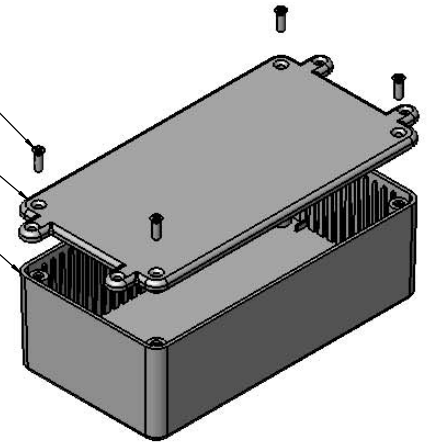


SECTION B-B

M3 CSK SCREW

LID

BASE



ISO VIEW



A

A

B

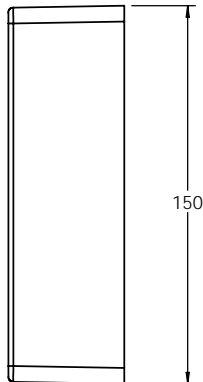
B

C

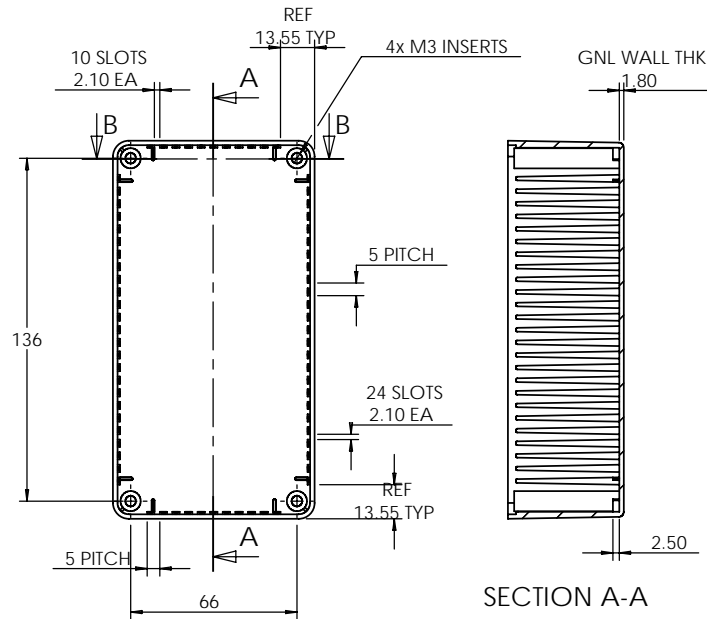
C

D

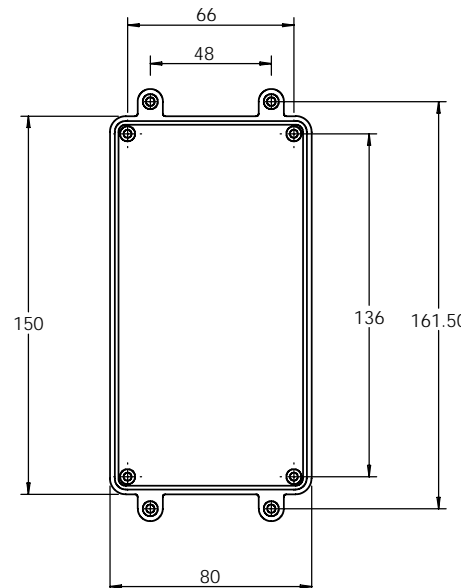
D



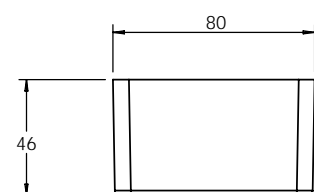
BASE



SECTION A-A



LID



		UNLESS OTHERWISE SPECIFIED: DIMENSIONS ARE IN MILLIMETERS		DO NOT SCALE DRAWING	REVISION. 0
		FINISH: SMOOTH		TITLE: ASSEMBLY DRG FOR 2005,15-LUG	
JAMES CARTER RD, MILDENHALL, SUFFOLK. IP28 7DE TEL: 01638 716101 FAX: 01638 716554 EMAIL: SALES@BOSS-ENCLOSURES.CO.UK WEB: www.BOSS-ENCLOSURES.CO.UK		MATERIAL: ABS	DWG NO. 2005,15-LUG	A4	
DRAWN S.HARDINGE	SIGNED S.JH	DATE 05/10/05	PROJECTION. 	SCALE: 1:3	SHEET 1 OF 1

1

2

3

1

2

3

4

5

6