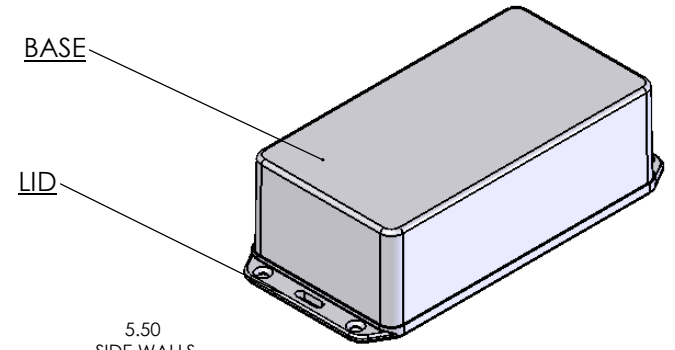


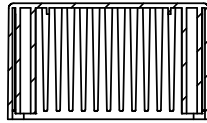
OVERALL ASSEMBLY DIMENSIONS:

EXTERNAL - 173.4 x 82.4 x 50.5

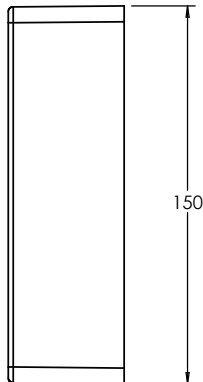
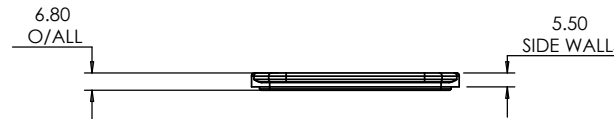
INTERNAL - 146.4 x 76.4 x 46



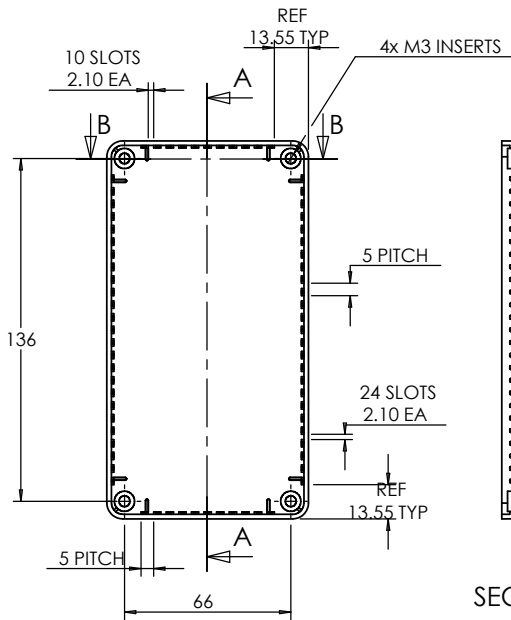
ISO VIEW
1:3



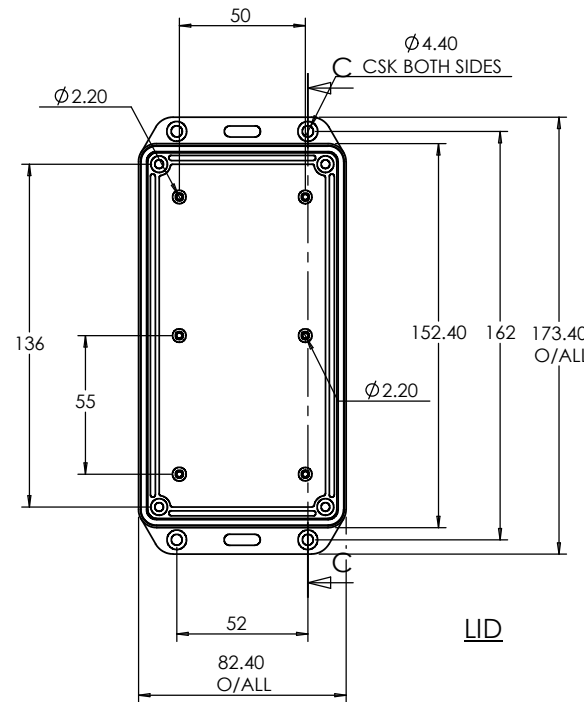
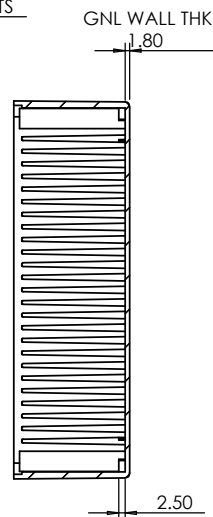
SECTION B-B



BASE

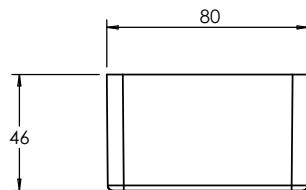
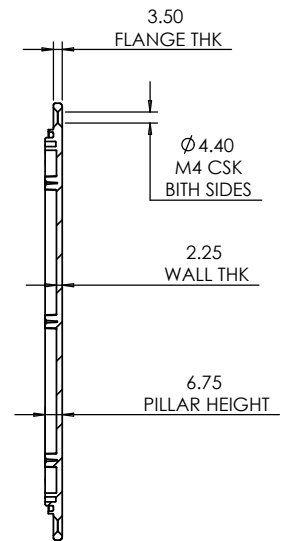


SECTION A-A



LID

SECTION C-C



		UNLESS OTHERWISE SPECIFIED: DIMENSIONS ARE IN MILLIMETERS		DO NOT SCALE DRAWING	REVISION. 0
		FINISH: SMOOTH		TITLE: GNL ASSEMBLY DRG FOR IP 2000-SERIES ENCLOSURE	
JAMES CARTER RD, MILDENHALL, SUFFOLK. IP28 7DE TEL: 01638 716101 FAX: 01638 716554 EMAIL: SALES@BOSS-ENCLOSURES.CO.UK WEB: www.BOSS-ENCLOSURES.CO.UK		MATERIAL: ABS		DWG NO. 2005-IP	
DRAWN SUBKHANKULOVA	SIGNED LS	DATE 27/02/09	PROJECTION. 	SCALE: 1:3	SHEET 1 OF 1