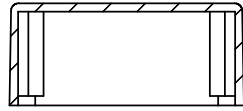


OVERALL ASSEMBLY DIMENSIONS:

EXTERNAL - 112 x 62 x 31

INTERNAL - 107.4 x 57.4 x 27

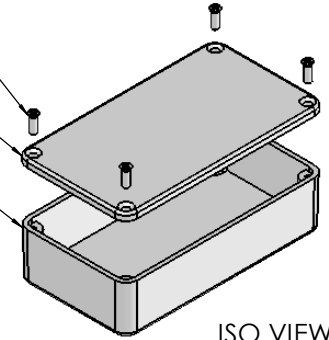


SECTION B-B

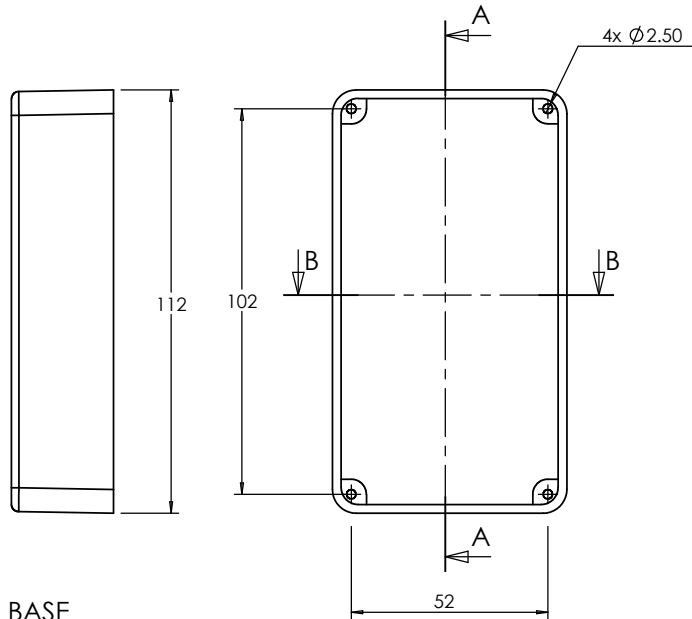
CSK SELF TAPPING SCREWS

LID

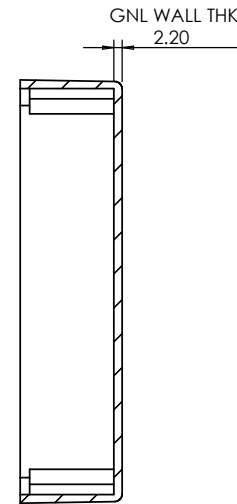
BASE



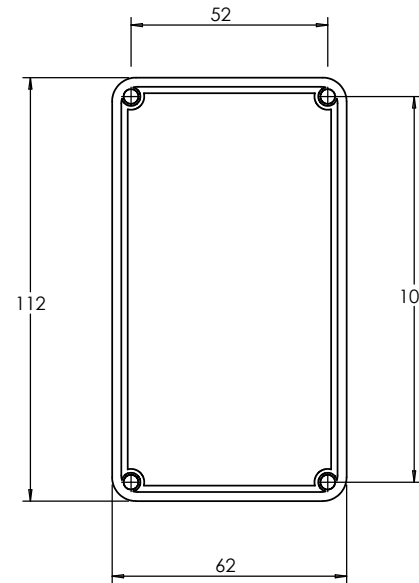
ISO VIEW
1:3



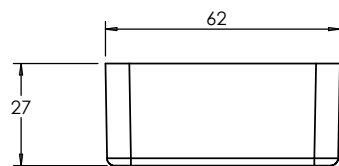
BASE



SECTION A-A



LID



		UNLESS OTHERWISE SPECIFIED: DIMENSIONS ARE IN MILLIMETERS		DO NOT SCALE DRAWING	REVISION. 0
		FINISH: MATT		TITLE: ASSEMBLY DRG FOR 2007/17	
JAMES CARTER RD, MILDENHALL, SUFFOLK. IP28 7DE TEL: 01638 716101 FAX: 01638 716554 EMAIL: SALES@BOSS-ENCLOSURES.CO.UK WEB: www.BOSS-ENCLOSURES.CO.UK		MATERIAL: ABS		DWG NO. 2007,17	
DRAWN	S.HARDINGE	SIGNED	SJH	DATE	06/10/05
CHK'D	-	-	-	PROJECTION.	
				SCALE: 1 : 2	SHEET 1 OF 1

A4