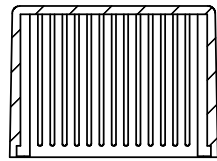


OVERALL ASSEMBLY DIMENSIONS:

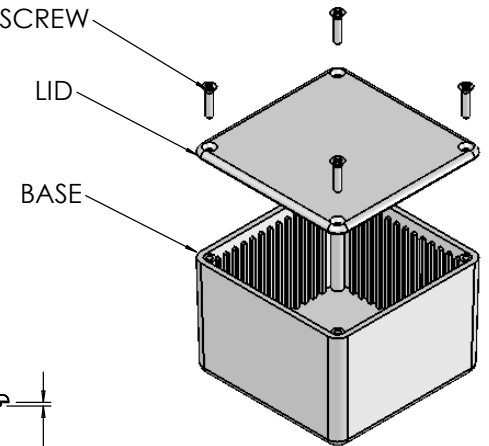
EXTERNAL - 55 x 55 x 42

INTERNAL - 51 x 51 x 37

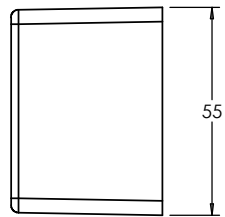
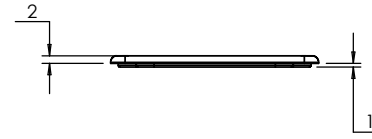


SECTION B-B

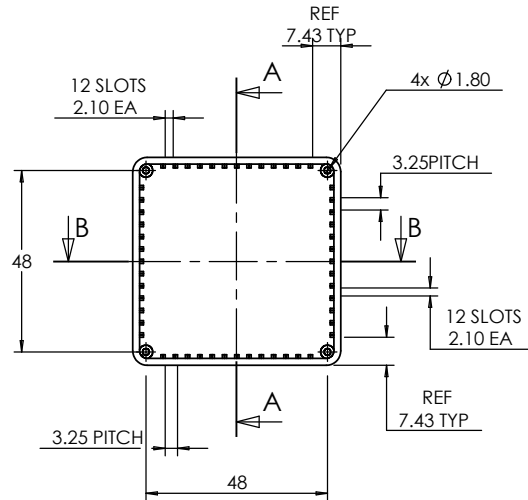
CSK SELF TAPPING SCREW



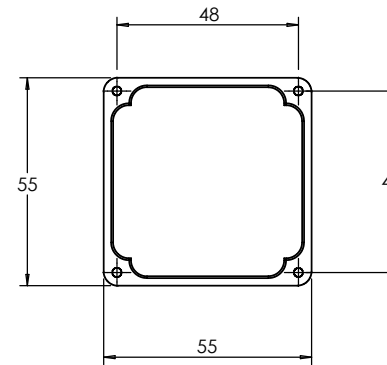
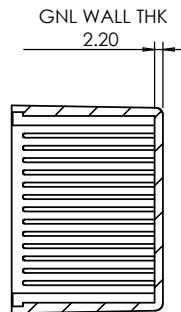
ISO VIEW



BASE



SECTION A-A



LID

		UNLESS OTHERWISE SPECIFIED: DIMENSIONS ARE IN MILLIMETERS		DO NOT SCALE DRAWING	REVISION: 0
		FINISH: SMOOTH		TITLE: ASSEMBLY DRG FOR 2008,18	
JAMES CARTER RD, MILDENHALL, SUFFOLK. IP28 7DE TEL: 01638 716101 FAX: 01638 716554 EMAIL: SALES@BOSS-ENCLOSURES.CO.UK WEB: WWW.BOSS-ENCLOSURES.CO.UK		MATERIAL: ABS	DWG NO. 2008,18	A4	
DRAWN	S.HARDINGE	SJH	07/10/05	SCALE: 1:2	SHEET 1 OF 1
CHK'D	-	-	-	PROJECTION:	