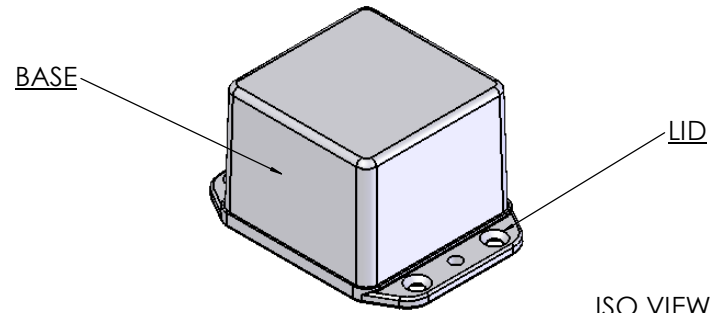


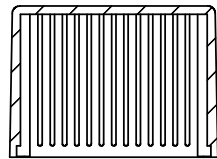
OVERALL ASSEMBLY DIMENSIONS:

EXTERNAL - 78.3 x 57.3 x 43

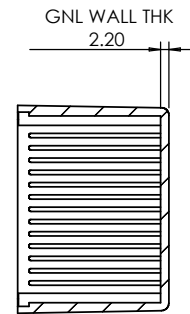
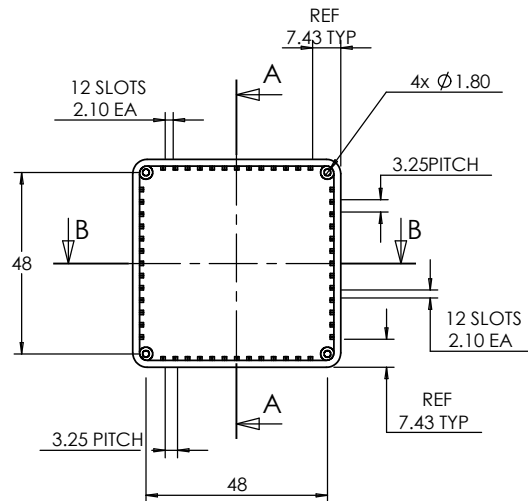
INTERNAL - 51 x 51 x 37



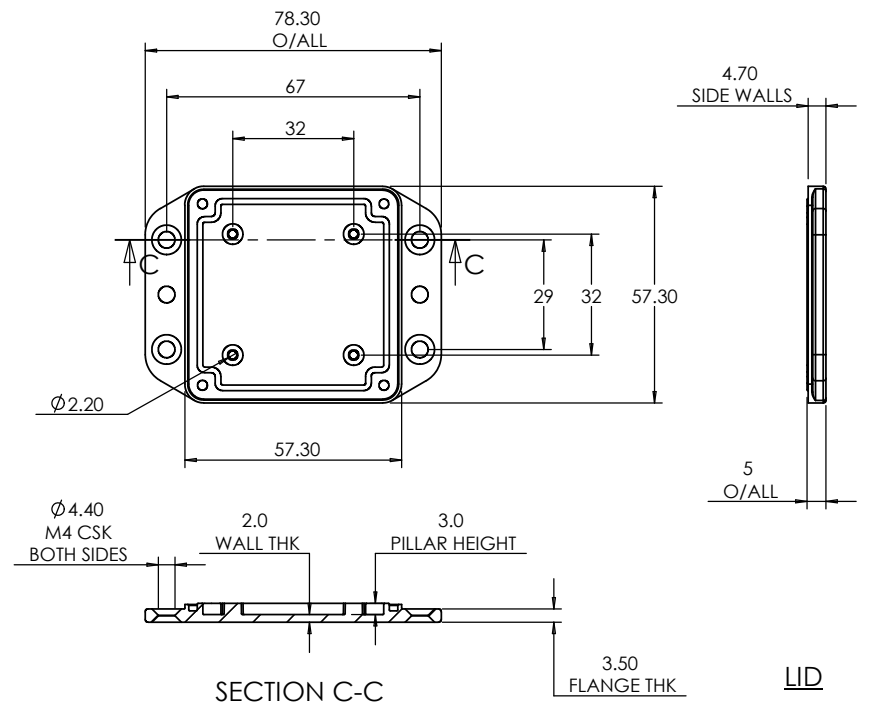
ISO VIEW
1:2



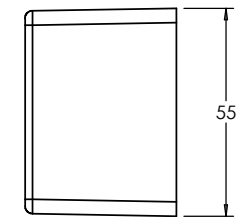
SECTION B-B



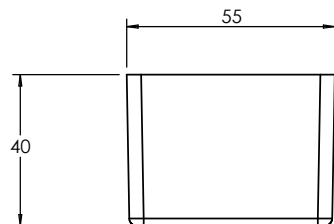
SECTION A-A



SECTION C-C



BASE



LID

<p>JAMES CARTER RD, MILDENHALL, SUFFOLK. IP28 7DE TEL: 01638 716101 FAX: 01638 716554 EMAIL: SALES@BOSS-ENCLOSURES.CO.UK WEB: WWW.BOSS-ENCLOSURES.CO.UK</p>				UNLESS OTHERWISE SPECIFIED: DIMENSIONS ARE IN MILLIMETERS		DO NOT SCALE DRAWING		REVISION. 0		
				FINISH: SMOOTH		TITLE: GNL ASSEMBLY DRG FOR IP 2000-SERIES ENCLOSURE				
DRAWN SUBKHANKULOVA		SIGNED LS		DATE 27/02/09		MATERIAL: ABS		DWG NO. 2008-IP		A4
CHK'D -		-		-		PROJECTION. 		SCALE: 1:2		SHEET 1 OF 1