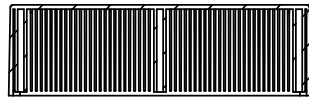


OVERALL ASSEMBLY DIMENSIONS:

EXTERNAL - 250 x 200 x 65

INTERNAL - 244 x 194 x 60.2



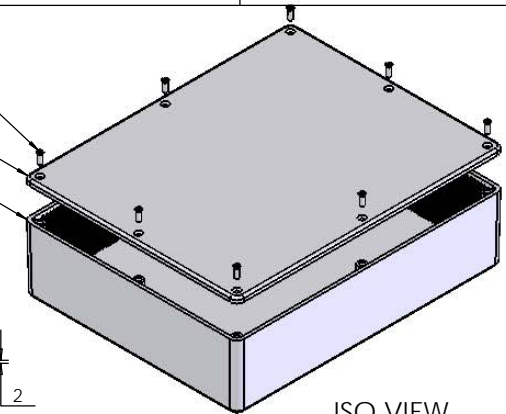
SECTION B-B



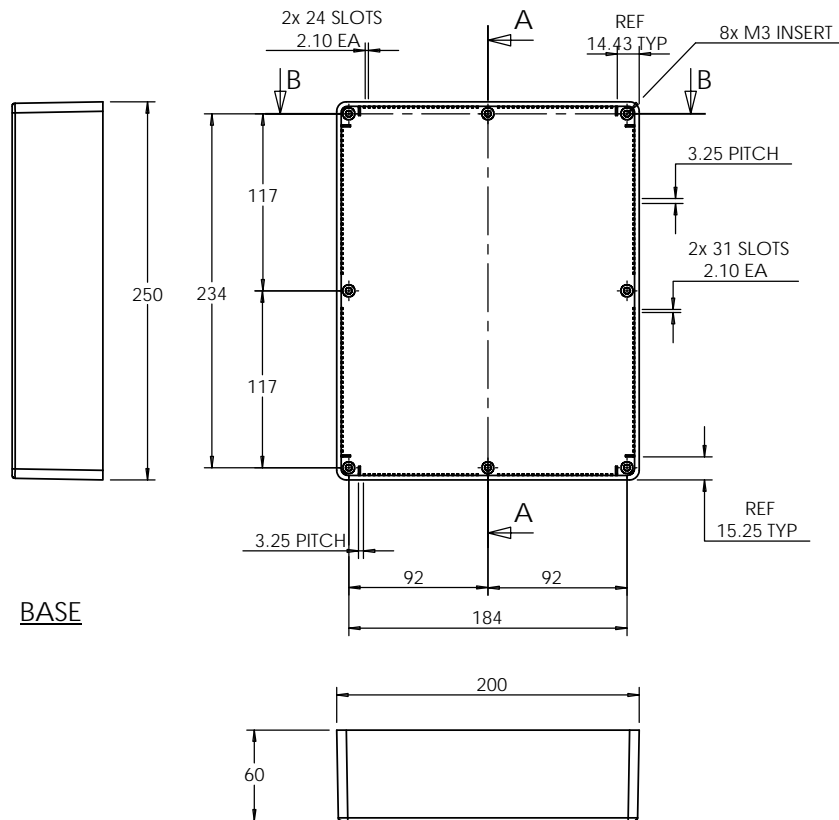
M3 CSK SCREW

LID

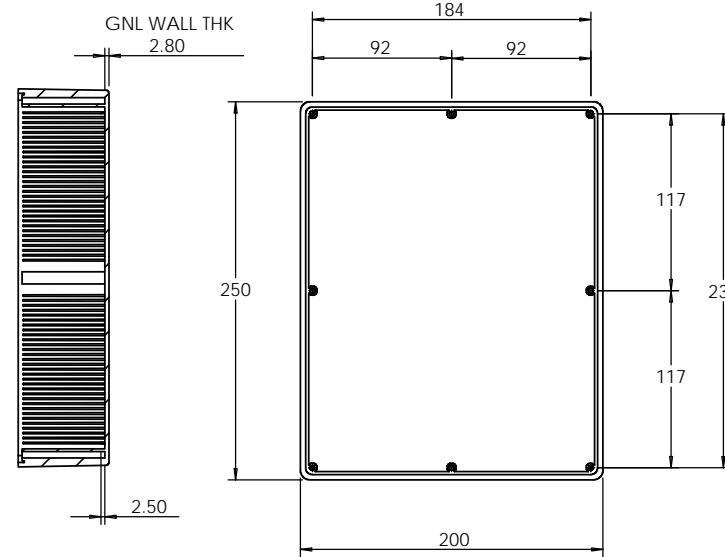
BASE



ISO VIEW



BASE



SECTION A-A



LID

		UNLESS OTHERWISE SPECIFIED: DIMENSIONS ARE IN MILLIMETERS		DO NOT SCALE DRAWING	REVISION. 0
		FINISH: SMOOTH		TITLE: ASSEMBLY DRG FOR 2009/19	
JAMES CARTER RD, MILDENHALL, SUFFOLK. IP28 7DE TEL: 01638 716101 FAX: 01638 716554 EMAIL: SALES@BOSS-ENCLOSURES.CO.UK WEB: www.BOSS-ENCLOSURES.CO.UK		MATERIAL: ABS	DWG NO. 2009,19	A4	
DRAWN	S.HARDINGE	SIGNED	SJH	DATE	10/10/05
CHK'D	-	-	-	PROJECTION.	
SCALE: 1 : 5			SHEET 1 OF 1		