

OVERALL ASSEMBLY DIMENSIONS:

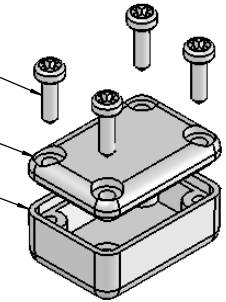
EXTERNAL - 22.5 x 16 x 11.3

INTERNAL - 19 x 12.5 x 7.3

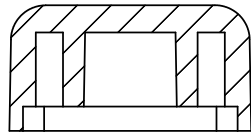
SELF TAPPING SCREW

LID

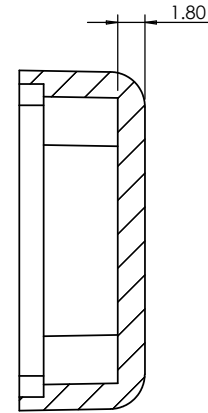
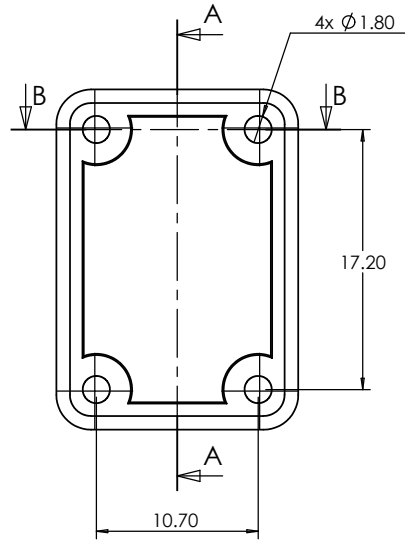
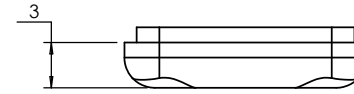
BASE



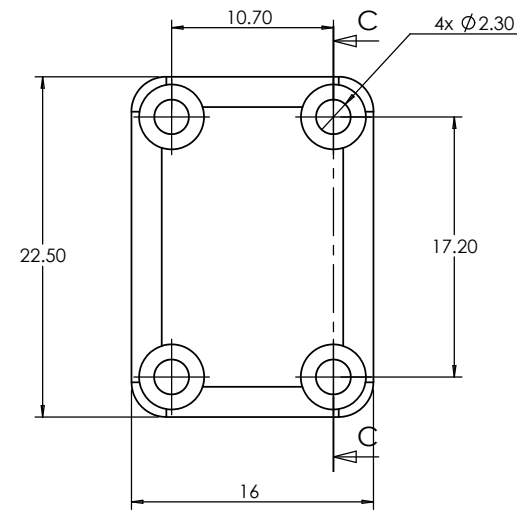
ISO VIEW
1:1



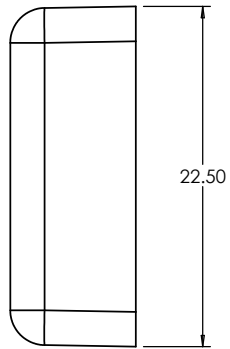
SECTION B-B



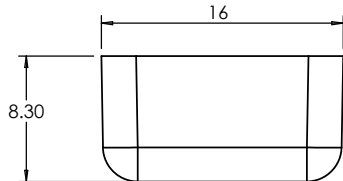
SECTION A-A



SECTION C-C



BASE



LID

<p>JAMES CARTER RD, MILDENHALL, SUFFOLK. IP28 7DE TEL: 01638 716101 FAX: 01638 716554 EMAIL: SALES@BOSS-ENCLOSURES.CO.UK WEB: www.BOSS-ENCLOSURES.CO.UK</p>				UNLESS OTHERWISE SPECIFIED: DIMENSIONS ARE IN MILLIMETERS		DO NOT SCALE DRAWING		REVISION. 0		
				FINISH: LIGHT SPARK		TITLE: ASSEMBLY DRG FOR 202				
DRAWN S.HARDINGE		SIGNED SJH		DATE 30/11/05		MATERIAL. ABS		DWG NO. 202		A4
CHK'D -		-		-		PROJECTION.		SCALE: 2:1		SHEET 1 OF 1