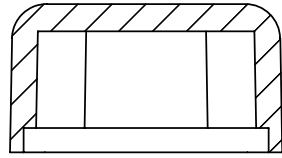


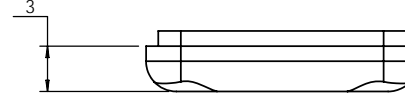
OVERALL ASSEMBLY DIMENSIONS:

EXTERNAL - 25.5 x 18 x 12.8

INTERNAL - 22 x 14.5 x 8.8



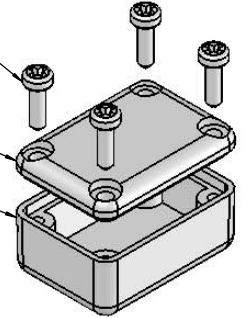
SECTION B-B



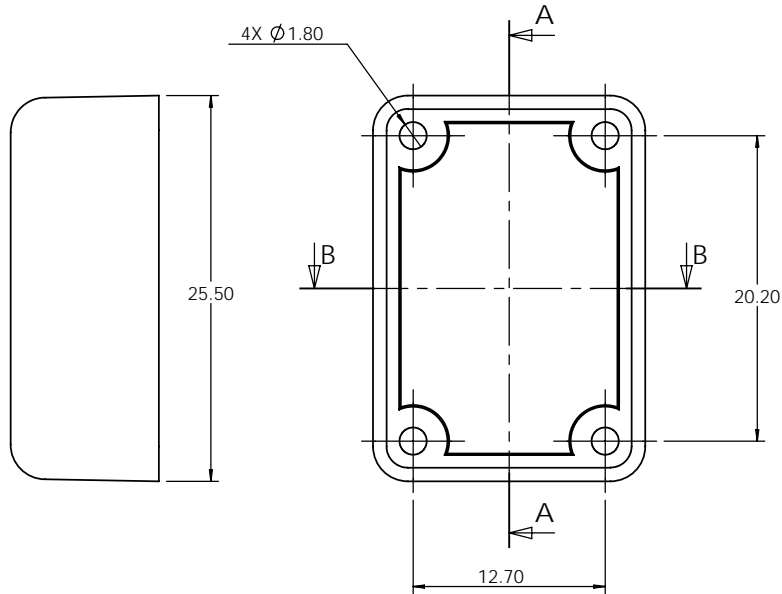
SELF TAPPING SCREW

LID

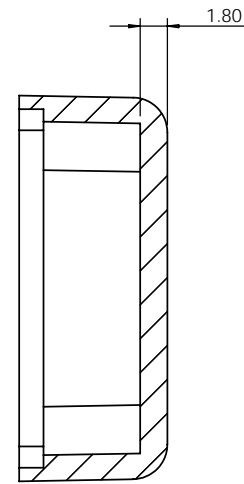
BASE



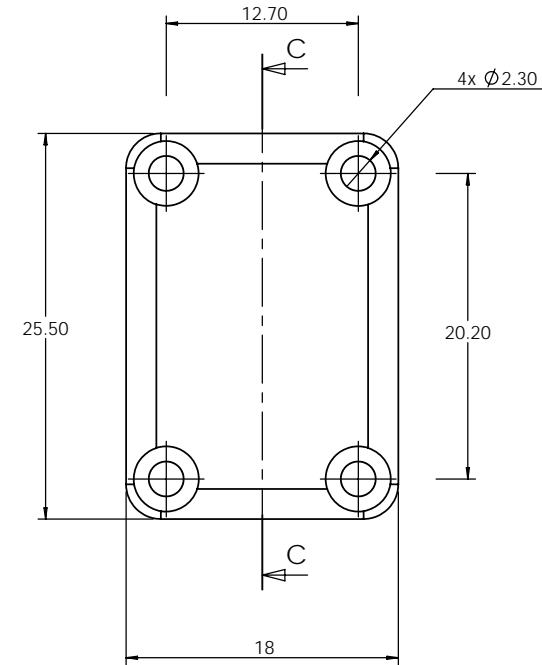
ISO VIEW  
1:1



BASE

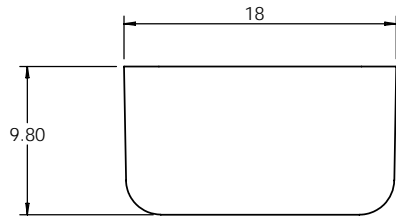


SECTION A-A



SECTION C-C

LID



<p>JAMES CARTER RD, MILDENHALL, SUFFOLK. IP28 7DE          TEL: 01638 716101 FAX: 01638 716554          EMAIL: SALES@BOSS-ENCLOSURES.CO.UK          WEB: WWW.BOSS-ENCLOSURES.CO.UK</p>				UNLESS OTHERWISE SPECIFIED: DIMENSIONS ARE IN MILLIMETERS		DO NOT SCALE DRAWING		REVISION. 0		
				FINISH: <b>LIGHT SPARK</b>		TITLE: <b>ASSEMBLY DRG FOR 203</b>				
DRAWN S.HARDINGE		SIGNED SJH		DATE 07/03/07		MATERIAL: <b>ABS</b>		DWG NO. <b>203</b>		A4
CHK'D -		-		-		PROJECTION. 		SCALE: 2 : 1		SHEET 1 OF 1