

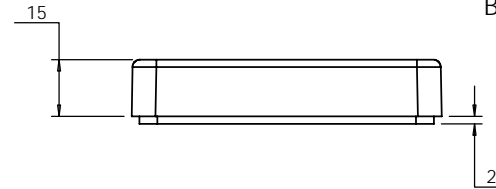
OVERALL ASSEMBLY DIMENSIONS:

EXTERNAL - 144 x 82 x 30

INTERNAL - 137.6 x 75.6 x 25.6



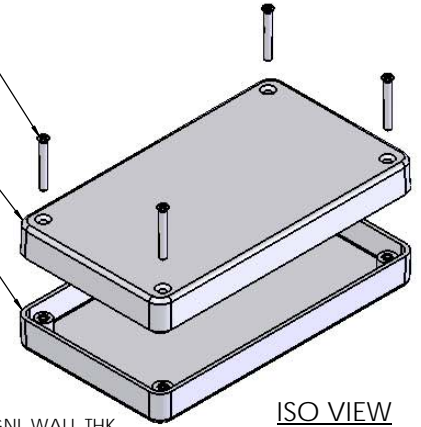
SECTION B-B



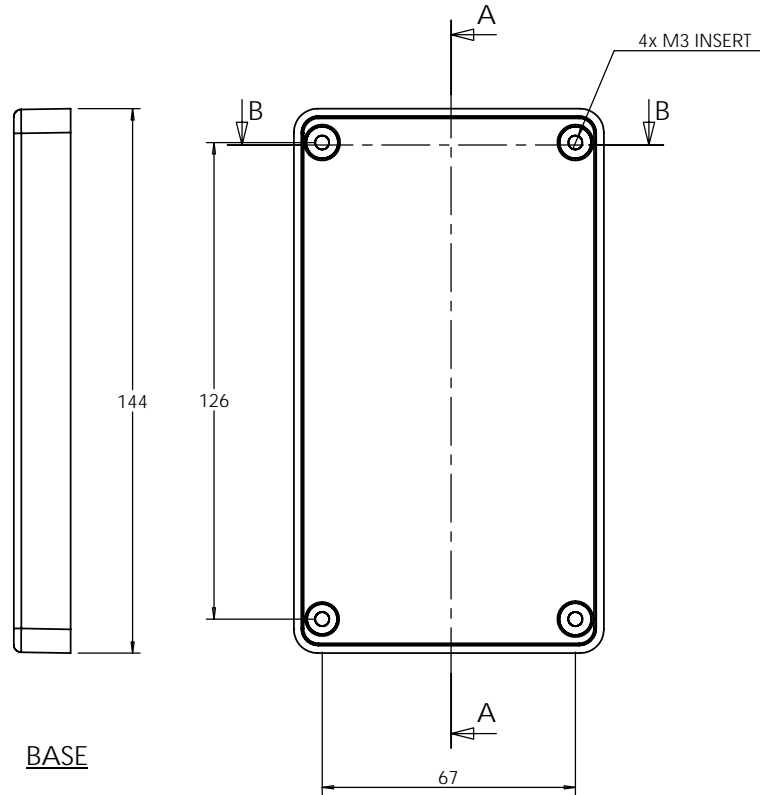
M3 CSK SCREW

LID

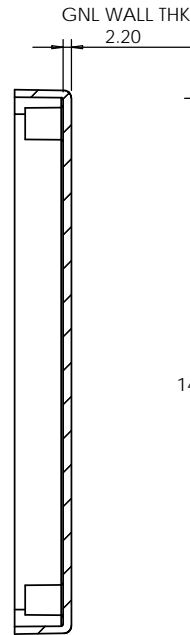
BASE



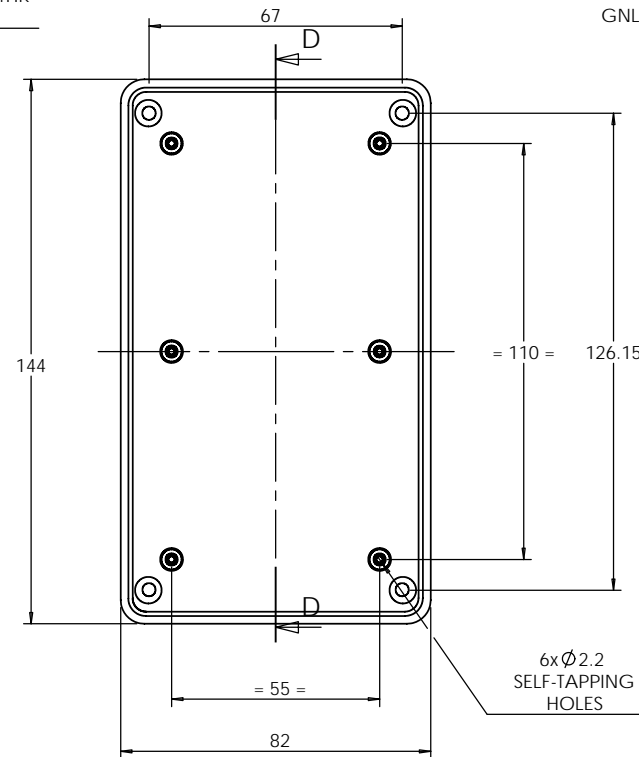
ISO VIEW  
1:3



BASE



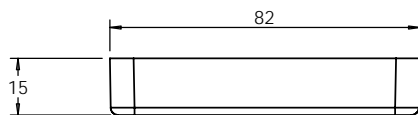
SECTION A-A



LID

SECTION D-D

4.50 TYP  
PILLAR  
HEIGHT



<p>JAMES CARTER RD, MILDENHALL, SUFFOLK. IP28 7DE TEL: 01638 716101 FAX: 01638 716554 EMAIL: SALES@BOSS-ENCLOSURES.CO.UK WEB: WWW.BOSS-ENCLOSURES.CO.UK</p>				UNLESS OTHERWISE SPECIFIED: DIMENSIONS ARE IN MILLIMETERS		DO NOT SCALE DRAWING		REVISION. A 06/04/10	
				FINISH: <b>SMOOTH</b>		TITLE: <b>ASSEMBLY DRG FOR 2030/30</b>			
DRAWN S.HARDINGE		SIGNED SJH		DATE 07/10/05		MATERIAL: <b>ABS</b>		DWG NO. <b>2030,30</b>	
CHK'D -		-		-		PROJECTION: 		SCALE: 1:2	
								SHEET 1 OF 1	

1

2

3

A4