

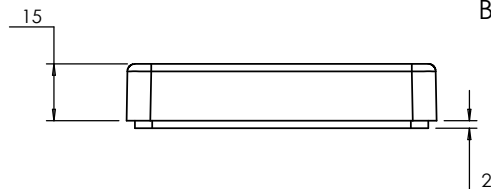
OVERALL ASSEMBLY DIMENSIONS:

EXTERNAL - 144 x 82 x 30

INTERNAL - 139.6 x 77.6 x 25.6



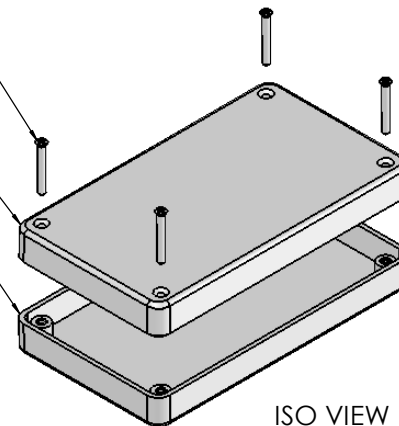
SECTION B-B



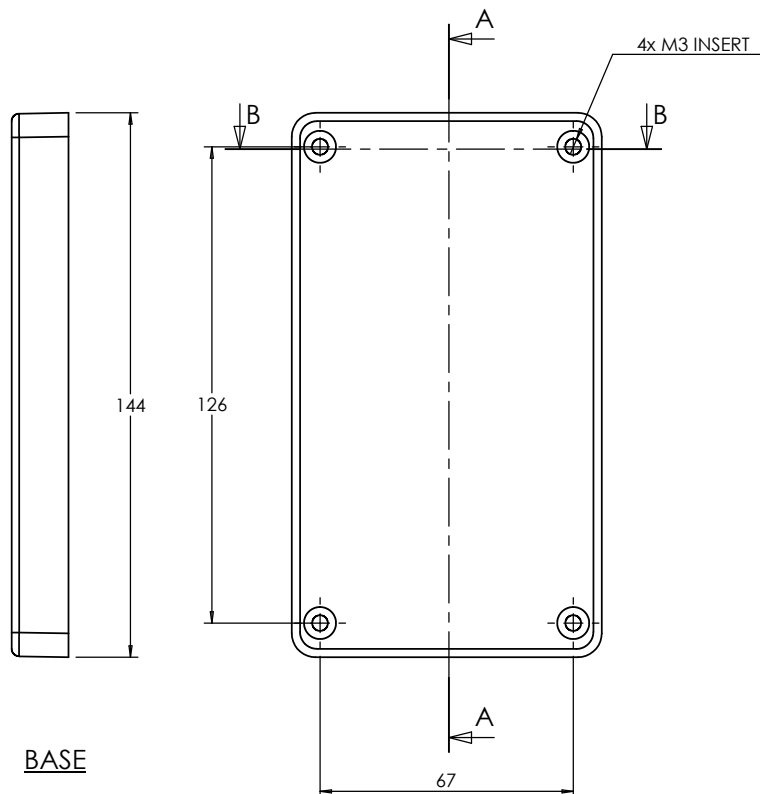
M3 CSK SCREW

LID

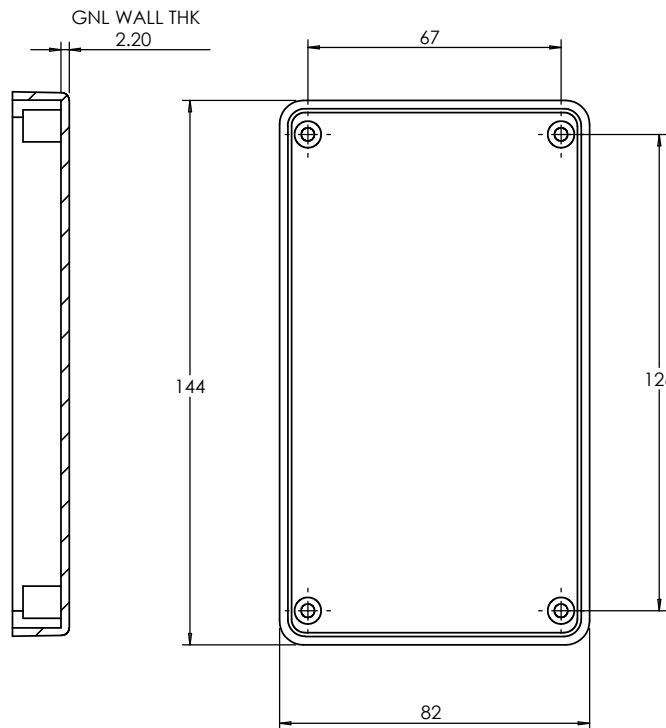
BASE



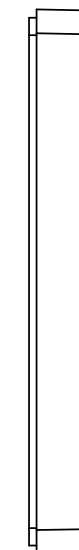
ISO VIEW
1:3



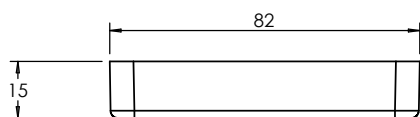
BASE



SECTION A-A



LID



<p>JAMES CARTER RD, MILDENHALL, SUFFOLK. IP28 7DE TEL: 01638 716101 FAX: 01638 716554 EMAIL: SALES@BOSS-ENCLOSURES.CO.UK WEB: www.BOSS-ENCLOSURES.CO.UK</p>				UNLESS OTHERWISE SPECIFIED: DIMENSIONS ARE IN MILLIMETERS		DO NOT SCALE DRAWING		REVISION. 0		
				FINISH: SMOOTH		TITLE: ASSEMBLY DRG FOR 2030/30				
DRAWN S.HARDINGE		SIGNED SJH		DATE 07/10/05		MATERIAL: ABS		DWG NO. 2030,30		A4
CHK'D -		-		-		PROJECTION.		SCALE: 1 : 2		SHEET 1 OF 1