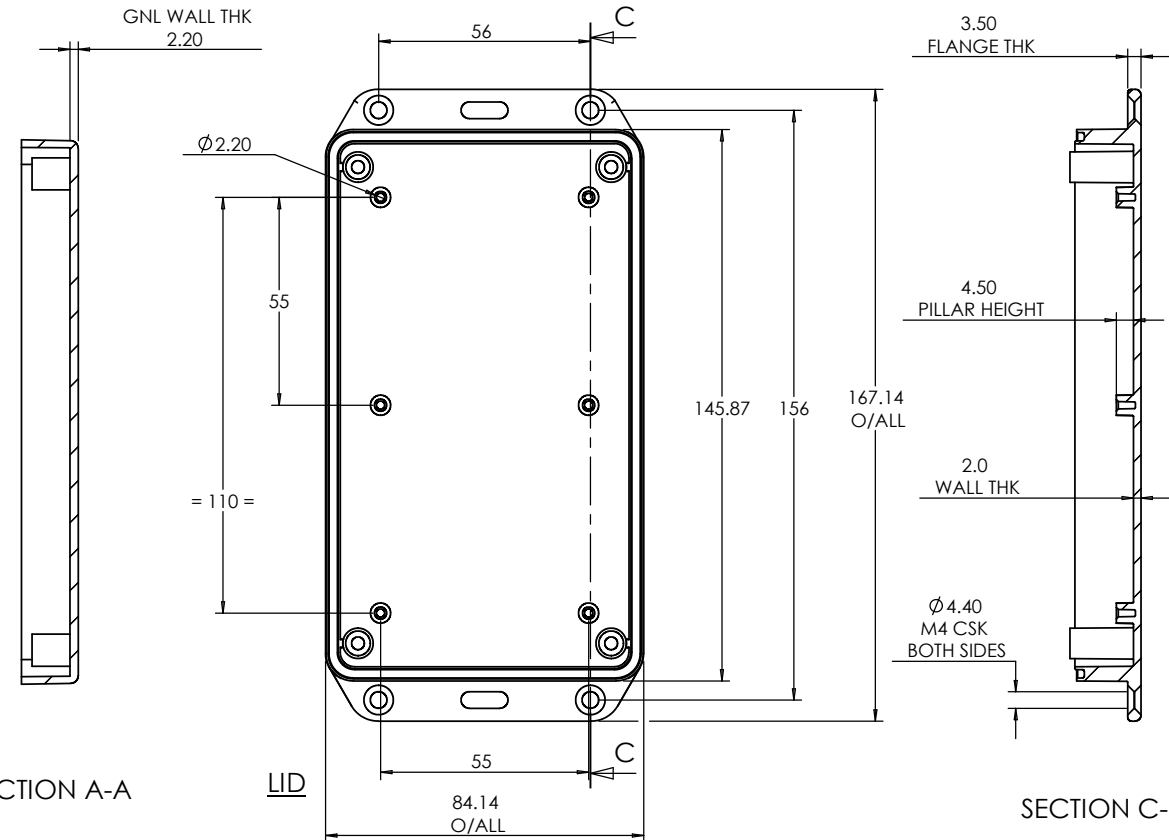
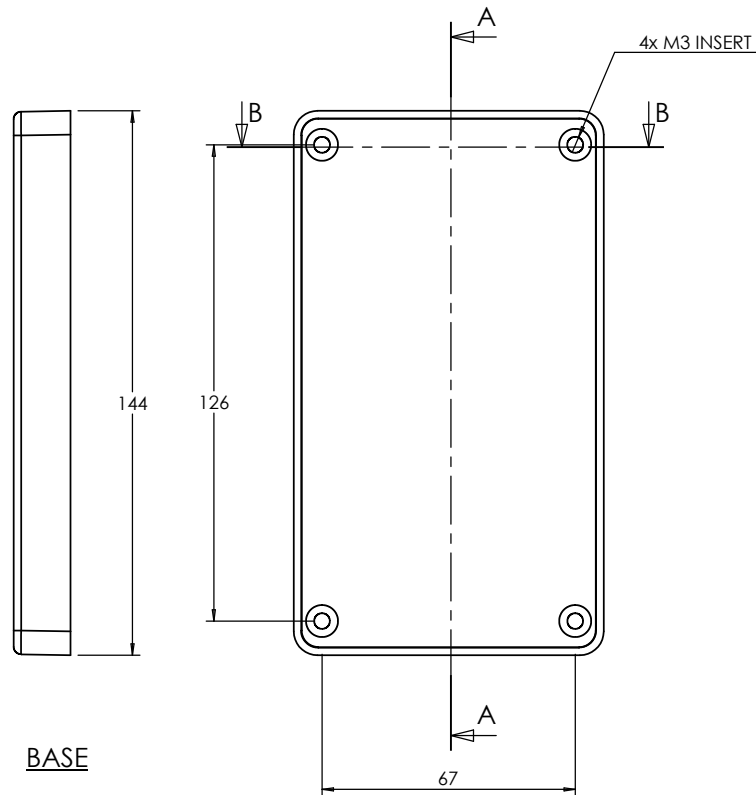
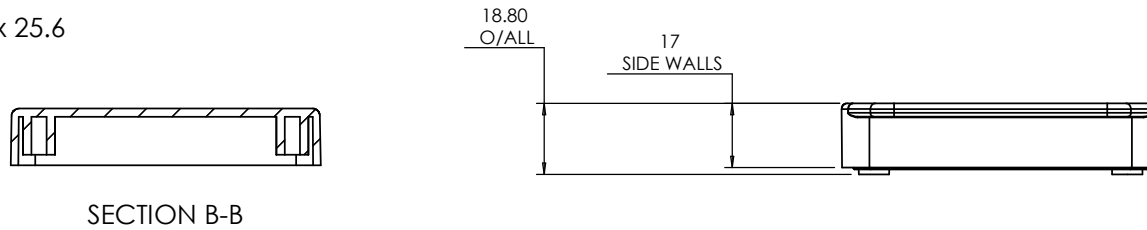
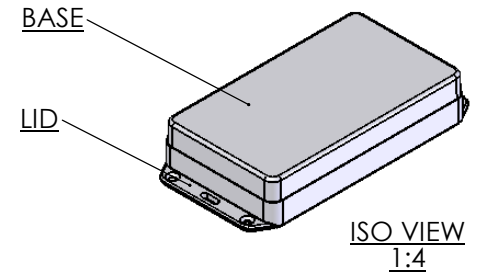


OVERALL ASSEMBLY DIMENSIONS:

EXTERNAL - 167 x 84 x 31

INTERNAL - 139.6 x 77.6 x 25.6



<p>JAMES CARTER RD, MILDENHALL, SUFFOLK. IP28 7DE TEL: 01638 716101 FAX: 01638 716554 EMAIL: SALES@BOSS-ENCLOSURES.CO.UK WEB: www.BOSS-ENCLOSURES.CO.UK</p>				UNLESS OTHERWISE SPECIFIED: DIMENSIONS ARE IN MILLIMETERS		DO NOT SCALE DRAWING		REVISION. 0		
				FINISH: <b>SMOOTH</b>		TITLE: <b>GNL ASSEMBLY DRG FOR IP 2000-SERIES ENCLOSURE</b>				
DRAWN SUBKHANKULOVA		SIGNED LS		DATE 02/03/09		MATERIAL: <b>ABS</b>		DWG NO. <b>2030-IP</b>		A4
CHK'D -		-		-		PROJECTION. 		SCALE: 1 : 2		SHEET 1 OF 1