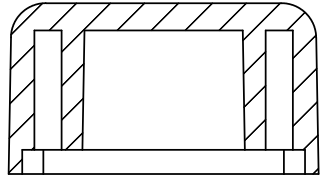


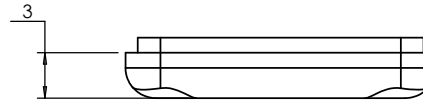
OVERALL ASSEMBLY DIMENSIONS:

EXTERNAL - 29 x 20.5 x 14.3

INTERNAL - 25.5 x 17 x 10.3



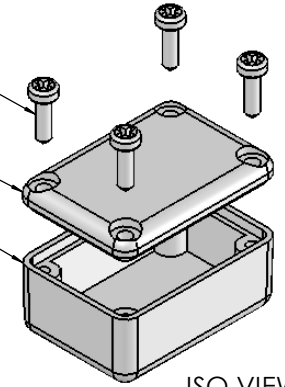
SECTION B-B



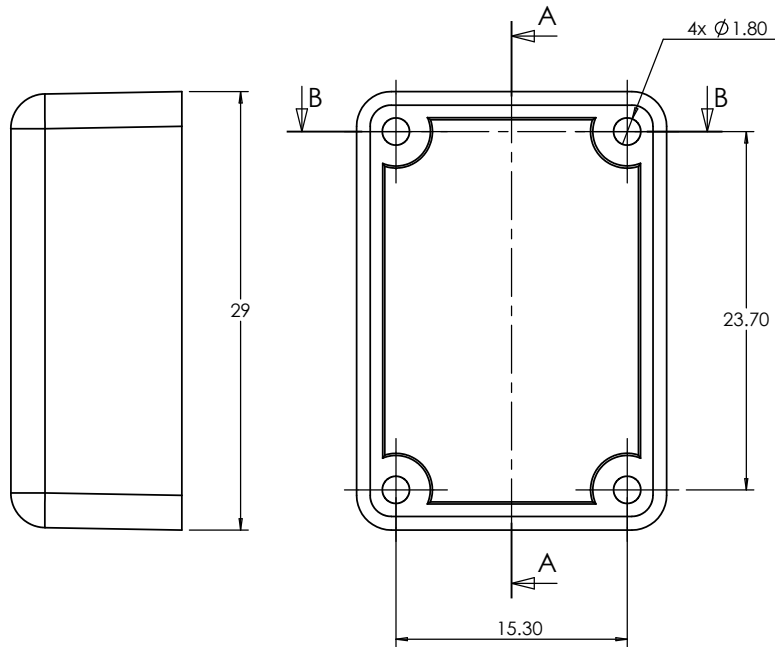
SELF TAPPING SCREW

LID

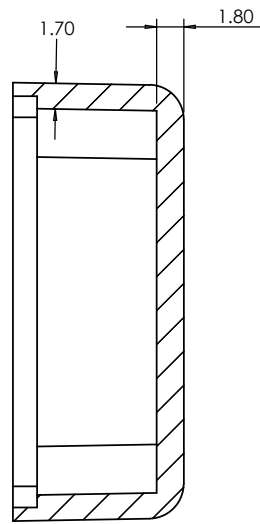
BASE



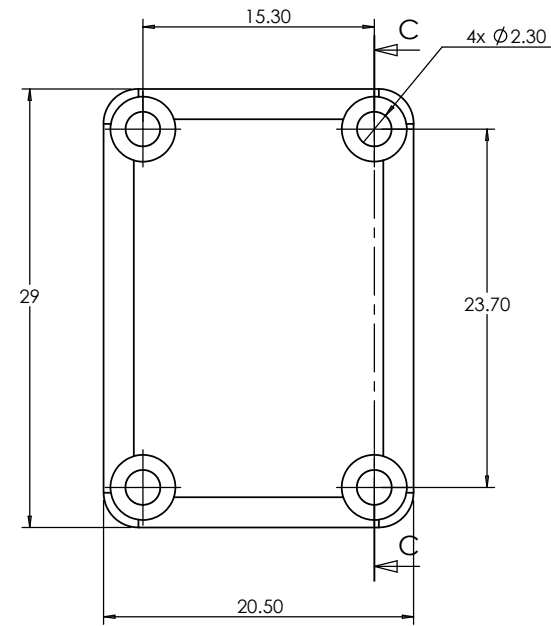
ISO VIEW
1:1



BASE

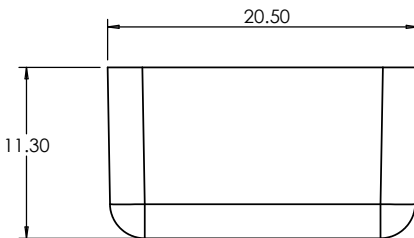


SECTION A-A



LID

SECTION C-C



		UNLESS OTHERWISE SPECIFIED: DIMENSIONS ARE IN MILLIMETERS		DO NOT SCALE DRAWING	REVISION. 0
		FINISH: LIGHT SPARK		TITLE: ASSEMBLY DRG FOR 204	
JAMES CARTER RD, MILDENHALL, SUFFOLK. IP28 7DE TEL: 01638 716101 FAX: 01638 716554 EMAIL: SALES@BOSS-ENCLOSURES.CO.UK WEB: www.BOSS-ENCLOSURES.CO.UK		MATERIAL: ABS	DWG NO. 204	A4	
DRAWN S.HARDINGE	SIGNED SJH	DATE 30/11/05	PROJECTION. 	SCALE: 2:1	SHEET 1 OF 1