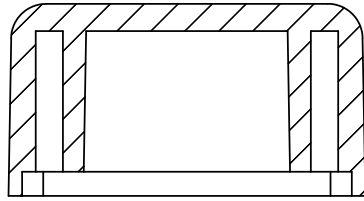


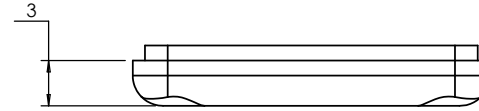
OVERALL ASSEMBLY DIMENSIONS:

EXTERNAL - 33.6 x 23.6 x 15.7

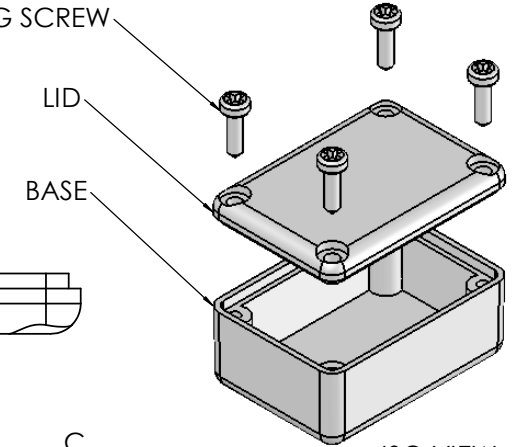
INTERNAL - 30 x 20 x 11.7



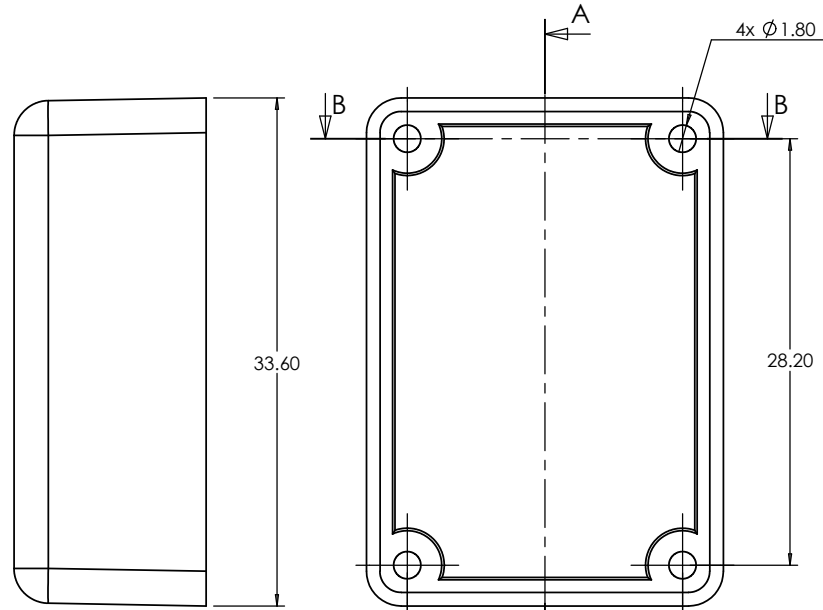
SECTION B-B



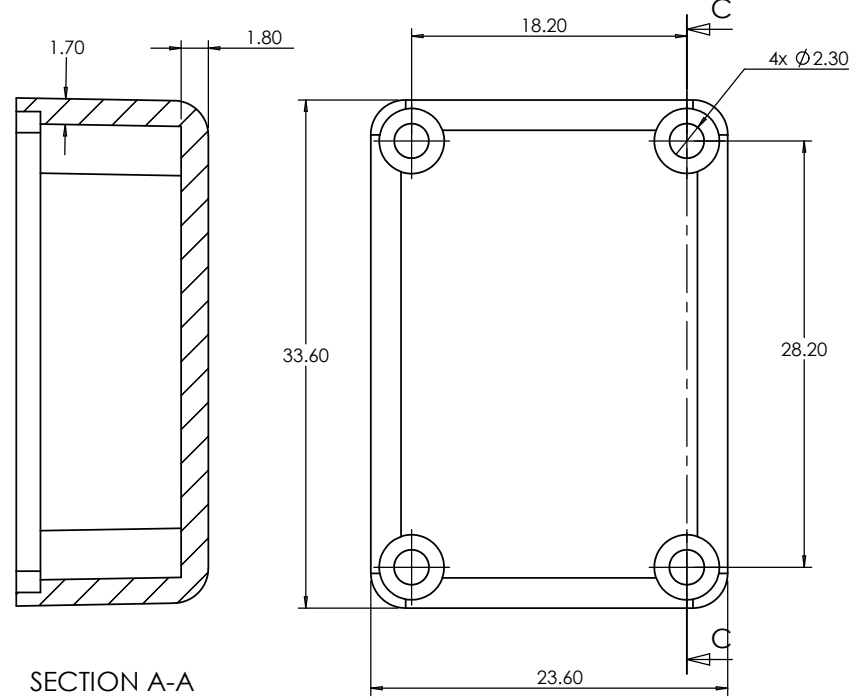
SELF TAPPING SCREW



ISO VIEW
1:1



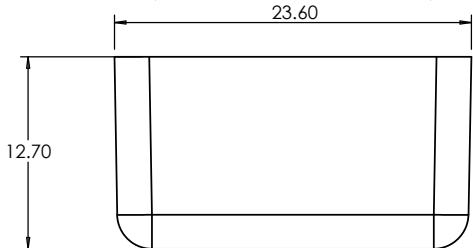
BASE



SECTION A-A

SECTION C-C

LID



		UNLESS OTHERWISE SPECIFIED: DIMENSIONS ARE IN MILLIMETERS		DO NOT SCALE DRAWING	REVISION. 0
		FINISH: LIGHT SPARK		TITLE: ASSEMBLY DRG FOR 205 BOX	
JAMES CARTER RD, MILDENHALL, SUFFOLK. IP28 7DE TEL: 01638 716101 FAX: 01638 716554 EMAIL: SALES@BOSS-ENCLOSURES.CO.UK WEB: WWW.BOSS-ENCLOSURES.CO.UK		MATERIAL: ABS	DWG NO. 205	A4	
DRAWN S.HARDINGE	SIGNED SJH	DATE 29/11/05	PROJECTION. 	SCALE: 2 : 1	SHEET 1 OF 1