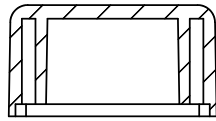


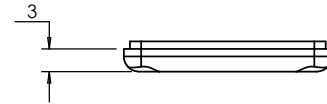
OVERALL ASSEMBLY DIMENSIONS:

EXTERNAL - 39.6 x 27.5 x 17.7

INTERNAL - 36 x 24 x 13.7



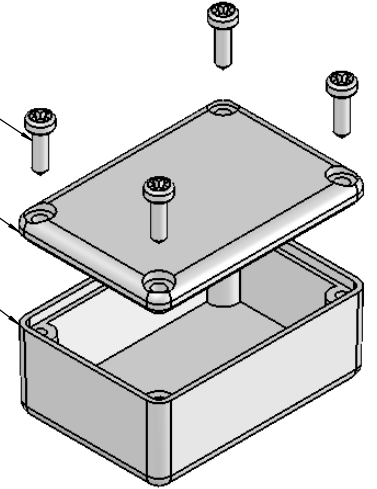
SECTION B-B



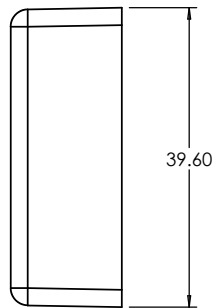
SELF TAPPING SCREW

LID

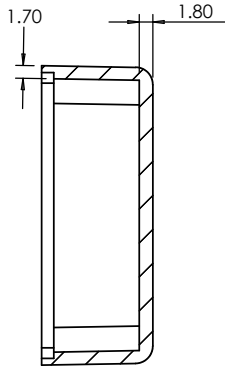
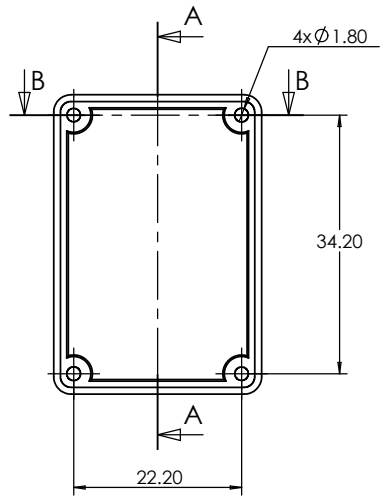
BASE



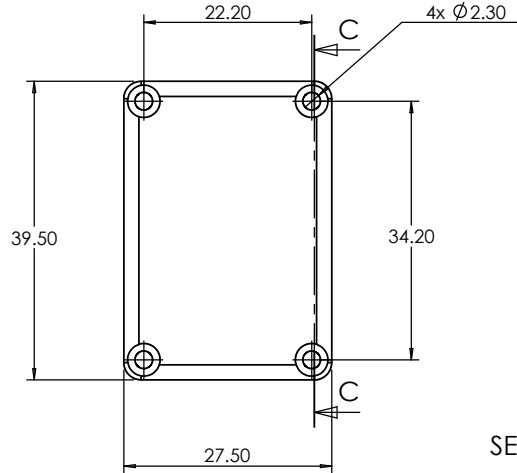
ISO VIEW



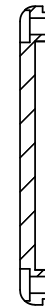
BASE



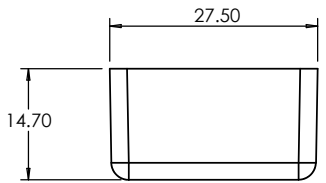
SECTION A-A



SECTION C-C



LID



		UNLESS OTHERWISE SPECIFIED: DIMENSIONS ARE IN MILLIMETERS		DO NOT SCALE DRAWING	REVISION. 0
		FINISH: <b>LIGHT SPARK</b>		TITLE: <b>ASSEMBLY DRG FOR 206</b>	
JAMES CARTER RD, MILDENHALL, SUFFOLK. IP28 7DE TEL: 01638 716101 FAX: 01638 716554 EMAIL: SALES@BOSS-ENCLOSURES.CO.UK WEB: www.BOSS-ENCLOSURES.CO.UK		MATERIAL: <b>ABS</b>	DWG NO. <b>206</b>		<b>A4</b>
DRAWN	S.HARDINGE	SJH	29/11/05	SCALE. 1 : 1	SHEET 1 OF 1
CHK'D	-	-	-	PROJECTION.	