

OVERALL ASSEMBLY DIMENSIONS:

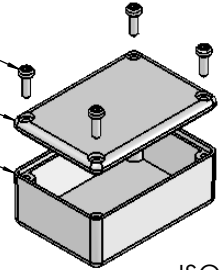
EXTERNAL - 46 x 32 x 19.75

INTERNAL - 42.5 x 28.5 x 15.75

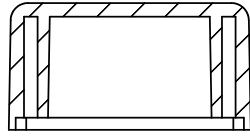
SELF TAPPING SCREW

LID

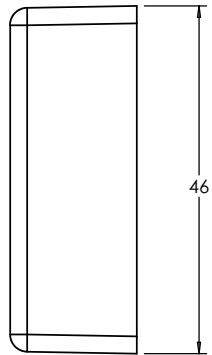
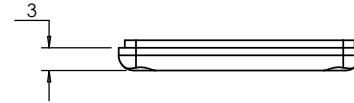
BASE



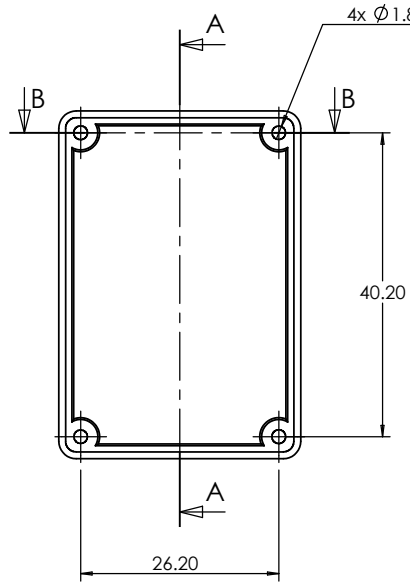
ISO VIEW  
1:2



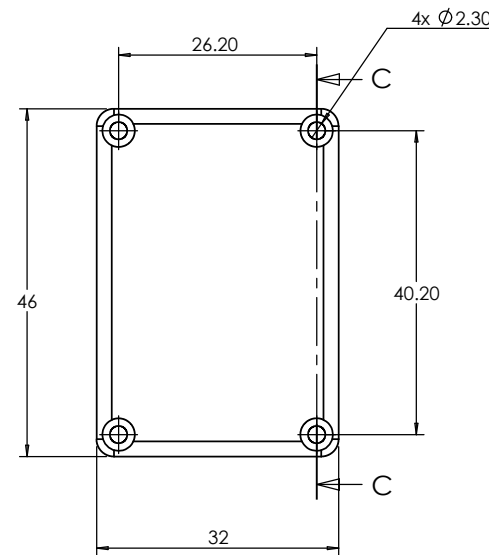
SECTION B-B



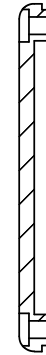
BASE



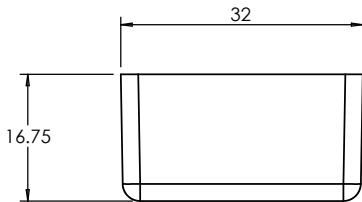
SECTION A-A



SECTION C-C



LID



<p>JAMES CARTER RD, MILDENHALL, SUFFOLK. IP28 7DE TEL: 01638 716101 FAX: 01638 716554 EMAIL: SALES@BOSS-ENCLOSURES.CO.UK WEB: www.BOSS-ENCLOSURES.CO.UK</p>				UNLESS OTHERWISE SPECIFIED: DIMENSIONS ARE IN MILLIMETERS		DO NOT SCALE DRAWING		REVISION. 0		
				FINISH: <b>LIGHT SPARK</b>		TITLE: <b>ASSEMBLY DRG FOR 207</b>				
DRAWN S.HARDINGE		SIGNED SJH		DATE 28/11/05		MATERIAL: <b>ABS</b>		DWG NO. <b>207</b>		A4
CHK'D -		-		-		PROJECTION.		SCALE: 1:1		SHEET 1 OF 1