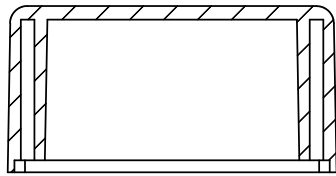


OVERALL ASSEMBLY DIMENSIONS:

EXTERNAL - 63.5 x 43.5 x 25

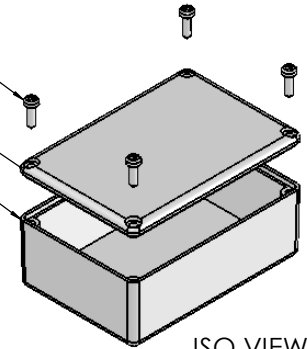
INTERNAL - 60 x 40 x 21



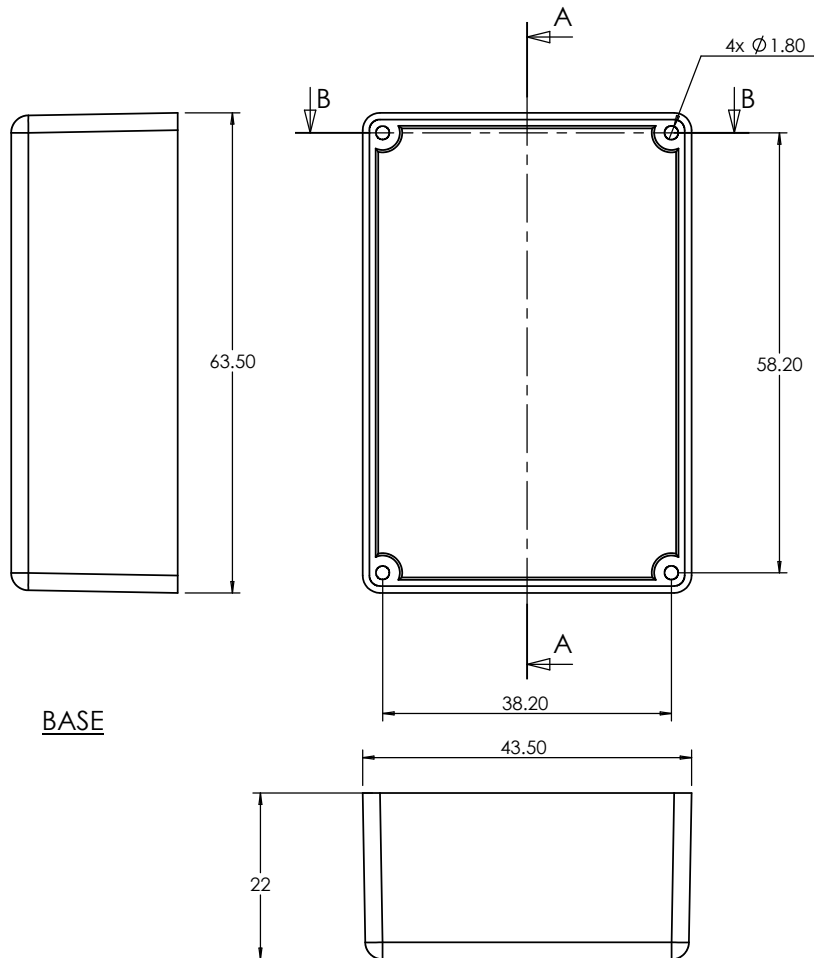
SECTION B-B

SELF TAPPING SCREWS

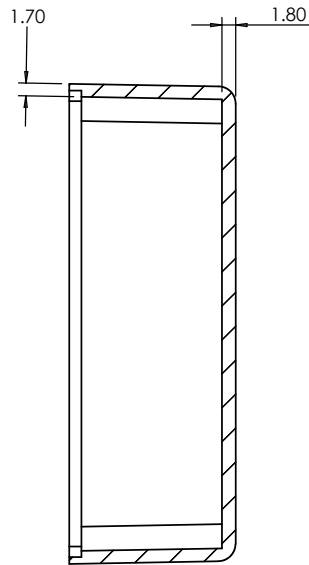
LID
BASE



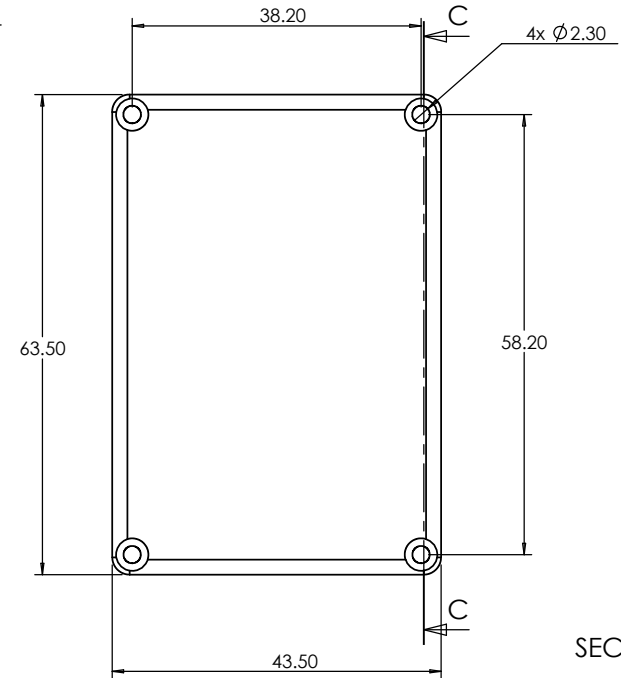
ISO VIEW
1:2



BASE



SECTION A-A



SECTION C-C

LID

<p>JAMES CARTER RD, MILDENHALL, SUFFOLK. IP28 7DE TEL: 01638 716101 FAX: 01638 716554 EMAIL: SALES@BOSS-ENCLOSURES.CO.UK WEB: www.BOSS-ENCLOSURES.CO.UK</p>				UNLESS OTHERWISE SPECIFIED: DIMENSIONS ARE IN MILLIMETERS		DO NOT SCALE DRAWING		REVISION. 0		
				FINISH: LIGHT SPARK		TITLE: ASSEMBLY DRG FOR 209				
DRAWN S.HARDINGE		SIGNED SJH		DATE 21/11/05		MATERIAL: ABS		DWG NO. 209		A4
CHK'D -		-		-		PROJECTION.		SCALE: 1:1		SHEET 1 OF 1