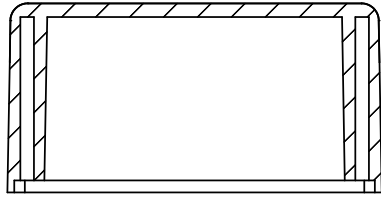


OVERALL ASSEMBLY DIMENSIONS:

EXTERNAL - 73.5 x 49.5 x 28

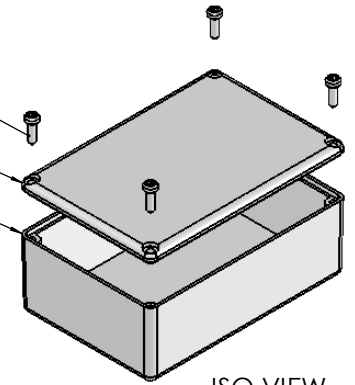
INTERNAL - 70 x 46 x 24



SELF TAPPING SCREWS

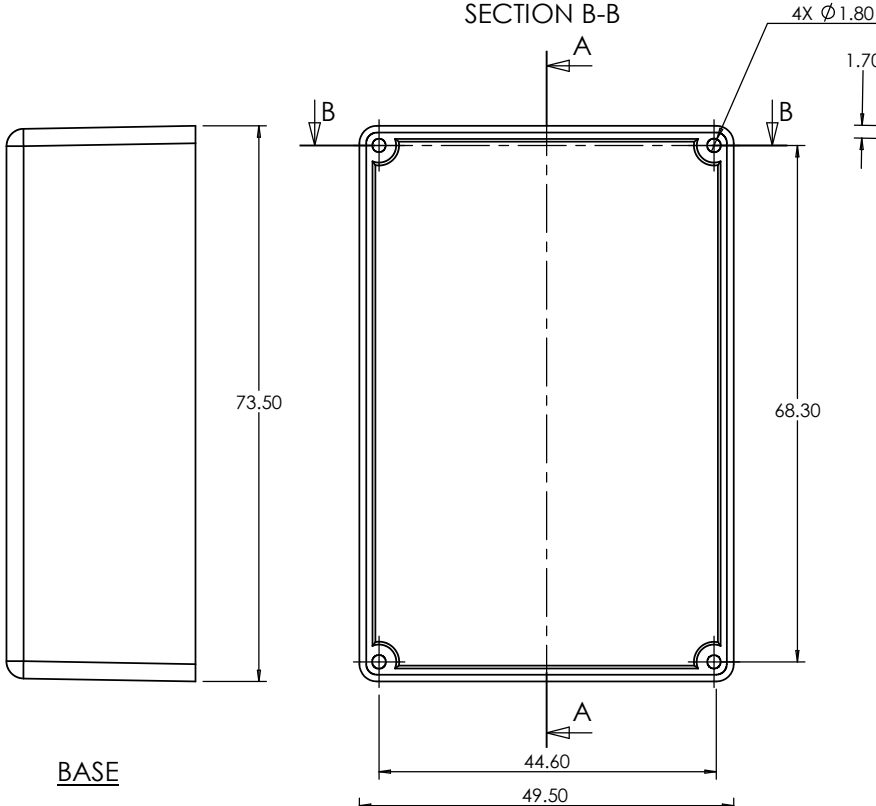
LID

BASE

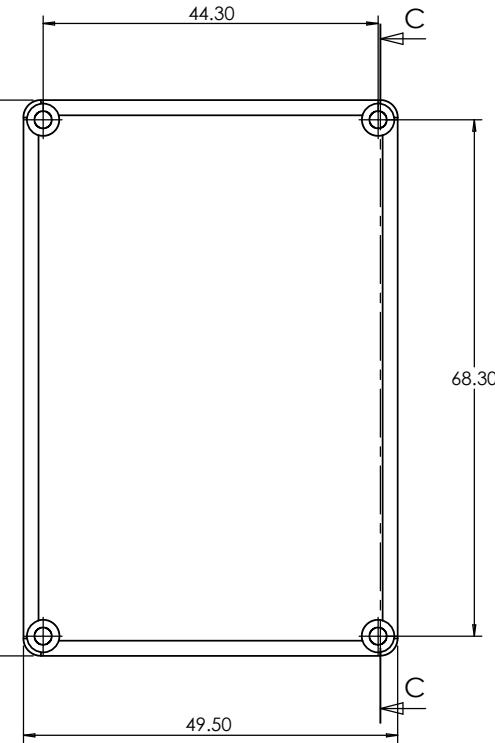
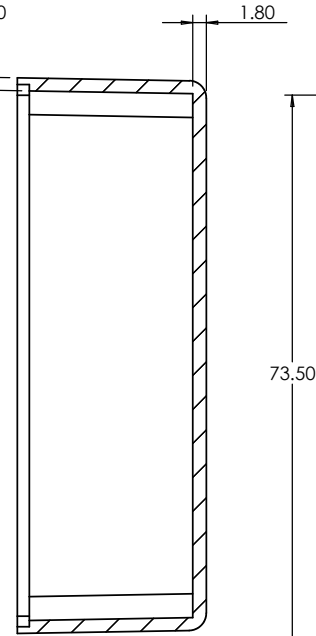


ISO VIEW
1:2

SECTION B-B



SECTION A-A



SECTION C-C

LID

BASE



		UNLESS OTHERWISE SPECIFIED: DIMENSIONS ARE IN MILLIMETERS		DO NOT SCALE DRAWING	REVISION. 0
		FINISH: LIGHT SPARK		TITLE: ASSEMBLY DRG FOR 210	
JAMES CARTER RD, MILDENHALL, SUFFOLK. IP28 7DE TEL: 01638 716101 FAX: 01638 716554 EMAIL: SALES@BOSS-ENCLOSURES.CO.UK WEB: www.BOSS-ENCLOSURES.CO.UK		MATERIAL: ABS	DWG NO. 210		A4
DRAWN S.HARDINGE	SIGNED SJH	DATE 28/11/05	PROJECTION. 	SCALE: 1:1	SHEET 1 OF 1