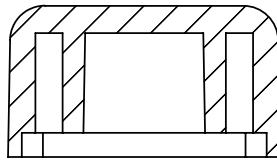


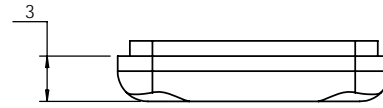
OVERALL ASSEMBLY DIMENSIONS:

EXTRENAL - 36.5 x 18 x 13

INTERNAL - 33 x 15 x 9



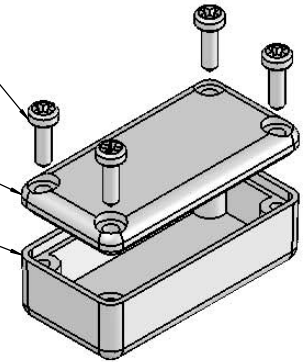
SECTION B-B



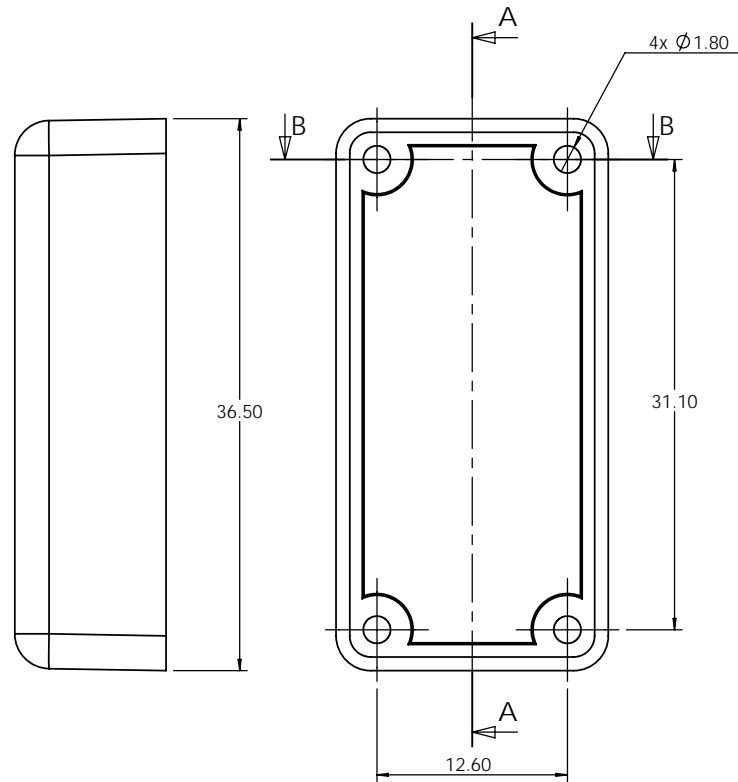
SELF TAPPING SCREW

LID

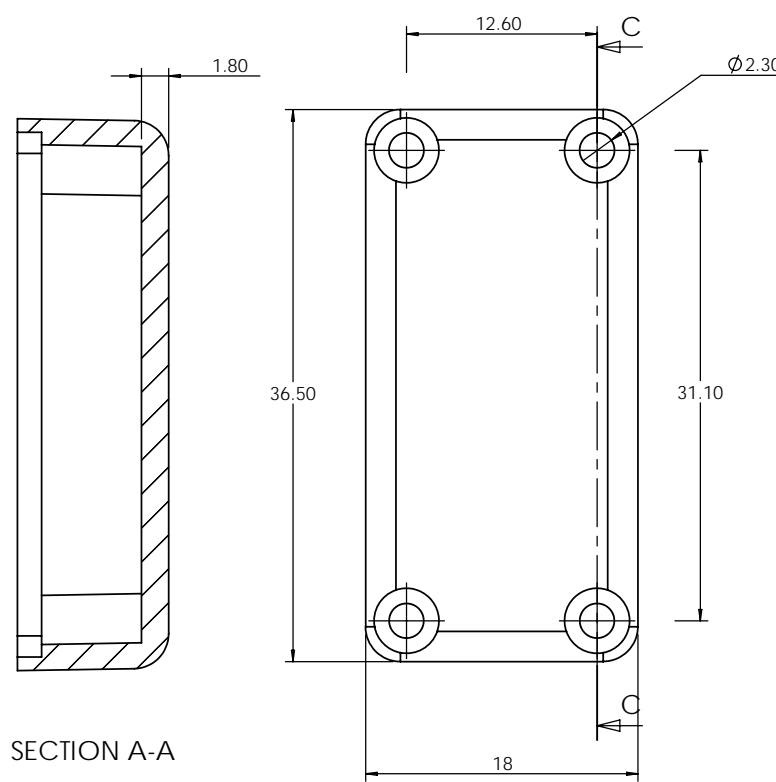
BASE



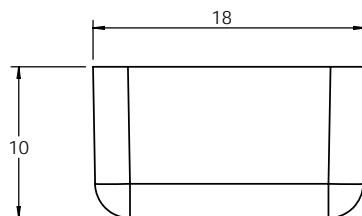
ISO VIEW
1:1



SECTION A-A



SECTION C-C



<p>JAMES CARTER RD, MILDENHALL, SUFFOLK. IP28 7DE TEL: 01638 716101 FAX: 01638 716554 EMAIL: SALES@BOSS-ENCLOSURES.CO.UK WEB: www.BOSS-ENCLOSURES.CO.UK</p>				UNLESS OTHERWISE SPECIFIED: DIMENSIONS ARE IN MILLIMETERS		DO NOT SCALE DRAWING		REVISION. 0		
				FINISH: LIGHT SPARK		TITLE: ASSEMBLY DRG FOR 211				
DRAWN S.HARDINGE		SIGNED SJH		DATE 07/03/07		MATERIAL: ABS		DWG NO. 211		A4
CHK'D -		-		-		PROJECTION.		SCALE: 2 : 1		SHEET 1 OF 1