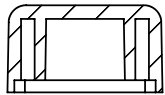


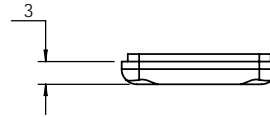
OVERALL ASSEMBLY DIMENSIONS:

EXTERNAL - 41.75 x 20.5 x 14.5

INTERNAL - 38.25 x 17 x 8.8



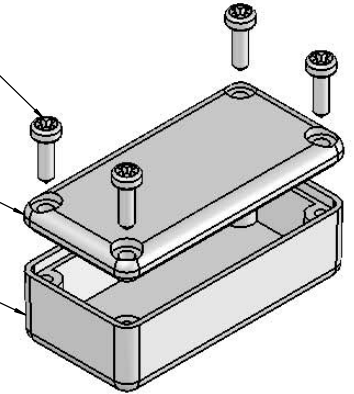
SECTION B-B



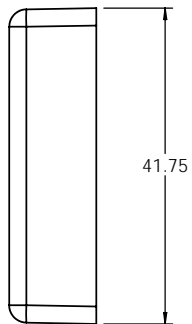
SELF TAPPING SCREW

LID

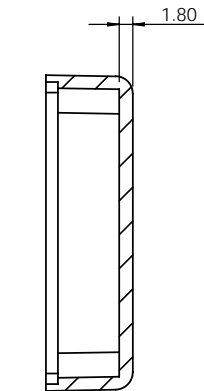
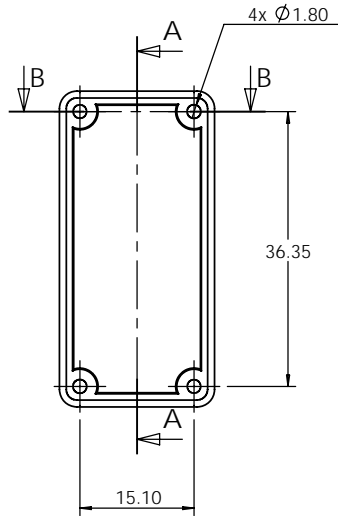
BASE



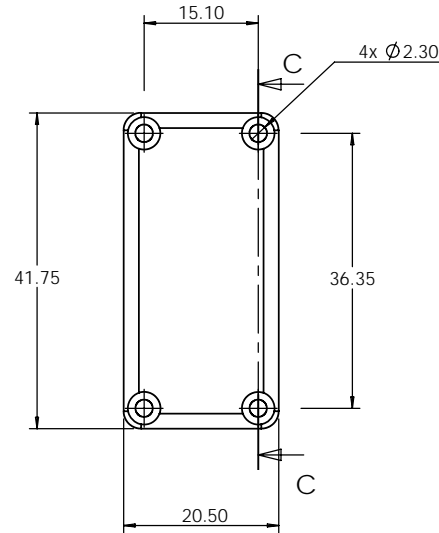
ISO VIEW
1:1



BASE

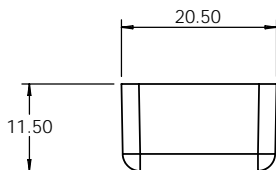



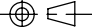
SECTION A-A



SECTION C-C

LID



 JAMES CARTER RD, MILDENHALL, SUFFOLK. IP28 7DE TEL: 01638 716101 FAX: 01638 716554 EMAIL: SALES@BOSS-ENCLOSURES.CO.UK WEB: www.BOSS-ENCLOSURES.CO.UK				UNLESS OTHERWISE SPECIFIED: DIMENSIONS ARE IN MILLIMETERS		DO NOT SCALE DRAWING		REVISION. 0		
				FINISH: LIGHT SPARK		TITLE: ASSEMBLY DRG FOR 212				
DRAWN S.HARDINGE		SIGNED SJH		DATE 12/03/07		MATERIAL. ABS		DWG NO. 212		A4
CHK'D -		-		-		PROJECTION. 		SCALE: 1 : 1		SHEET 1 OF 1