

OVERALL ASSEMBLY DIMENSIONS:

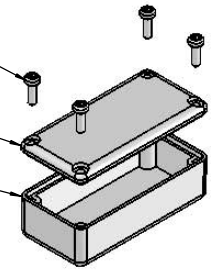
EXTERNAL - 48.5 x 23.5 x 16.25

INTERNAL - 45 x 20 x 11.25

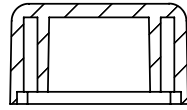
SELF TAPPING SCREW

LID

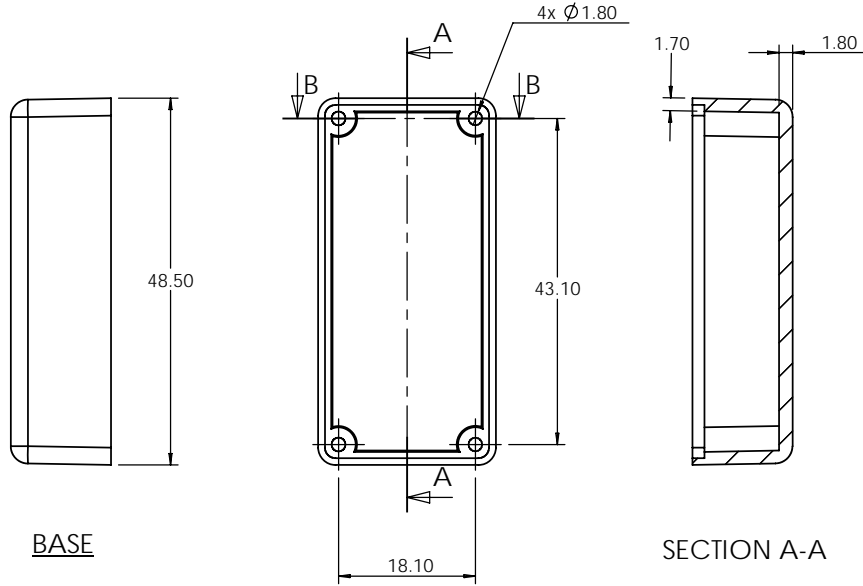
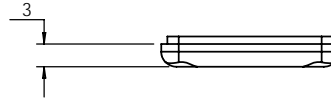
BASE



ISO VIEW
1:2

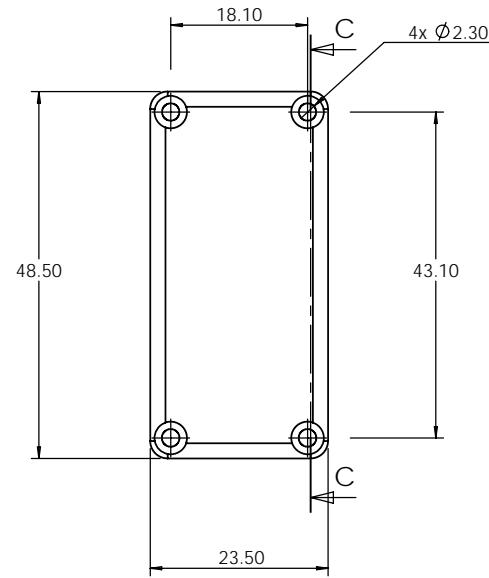


SECTION B-B



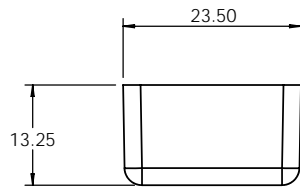
BASE

SECTION A-A



LID

SECTION C-C



<p>JAMES CARTER RD, MILDENHALL, SUFFOLK. IP28 7DE TEL: 01638 716101 FAX: 01638 716554 EMAIL: SALES@BOSS-ENCLOSURES.CO.UK WEB: www.BOSS-ENCLOSURES.CO.UK</p>				UNLESS OTHERWISE SPECIFIED: DIMENSIONS ARE IN MILLIMETERS		DO NOT SCALE DRAWING		REVISION. 0		
				FINISH: LIGHT SPARK		TITLE: ASSEMBLY DRG FOR 213				
DRAWN S.HARDINGE		SIGNED SJH		DATE 12/03/07		MATERIAL: ABS		DWG NO. 213		A4
CHK'D -		-		-		PROJECTION. 		SCALE: 1:1		SHEET 1 OF 1