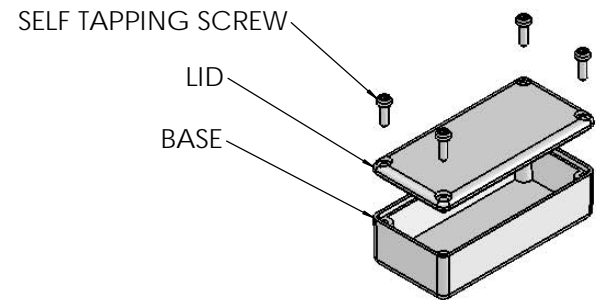


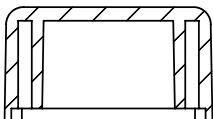
OVERALL ASSEMBLY DIMENSIONS:

EXTERNAL - 57.5 x 27.5 x 18

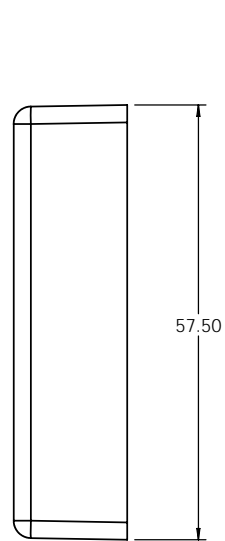
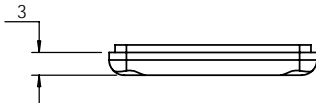
INTERNAL - 54 x 24 x 14



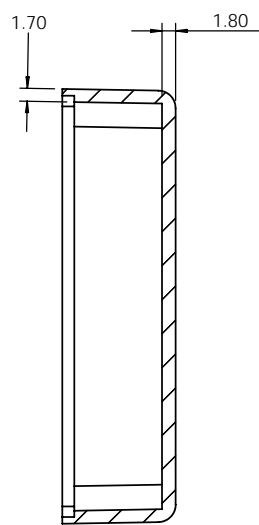
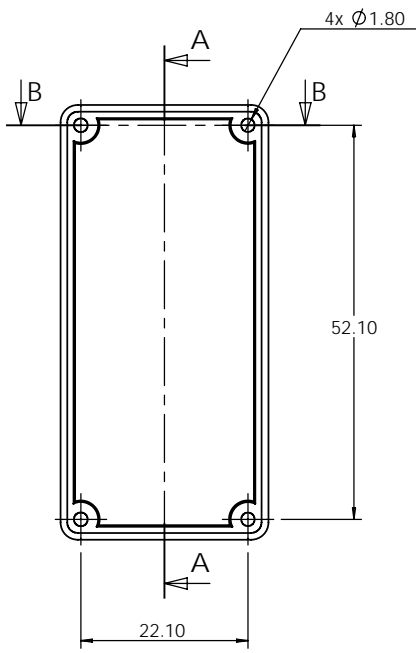
ISO VIEW
1:2



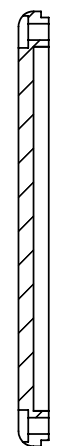
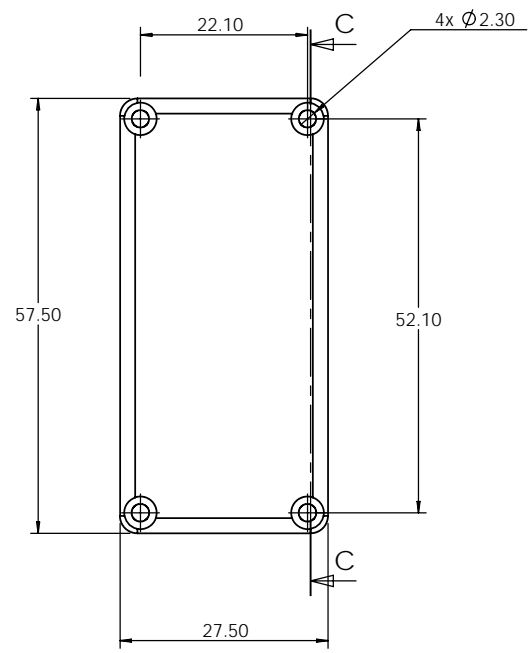
SECTION B-B



BASE

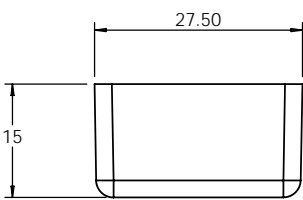


SECTION A-A



SECTION C-C

LID



				UNLESS OTHERWISE SPECIFIED: DIMENSIONS ARE IN MILLIMETERS		DO NOT SCALE DRAWING		REVISION. 0	
				FINISH: LIGHT SPARK		TITLE: ASSEMBLY DRG FOR 214			
JAMES CARTER RD, MILDENHALL, SUFFOLK. IP28 7DE TEL: 01638 716101 FAX: 01638 716554 EMAIL: SALES@BOSS-ENCLOSURES.CO.UK WEB: WWW.BOSS-ENCLOSURES.CO.UK				MATERIAL: ABS		DWG NO. 214		A4	
DRAWN	S.HARDINGE	SJH	14/03/07	PROJECTION.		SCALE: 1:1		SHEET 1 OF 1	
CHK'D	-	-	-						