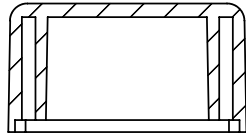


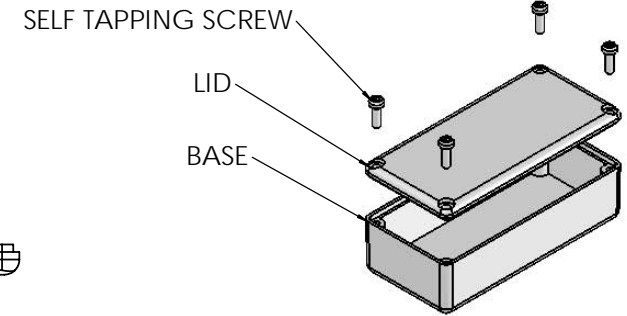
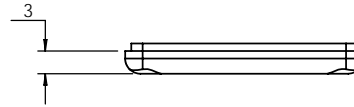
OVERALL ASSEMBLY DIMENSIONS:

EXTERNAL - 66.5 x 31.5 x 20

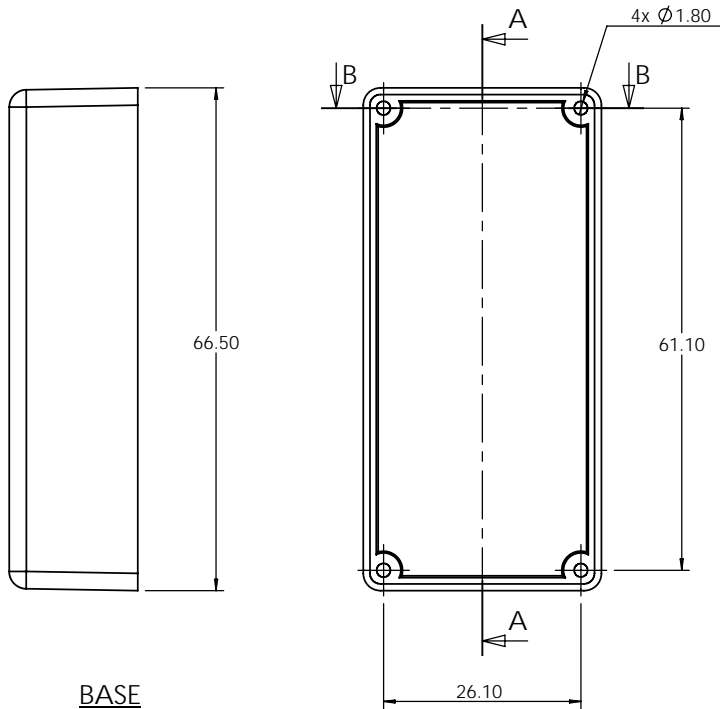
INTERNAL - 63 x 28 x 16



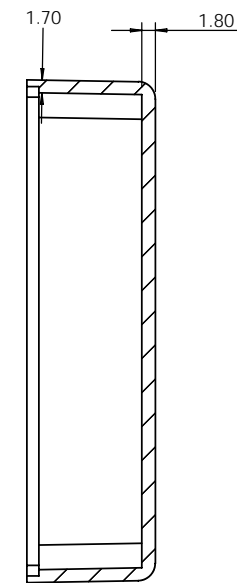
SECTION B-B



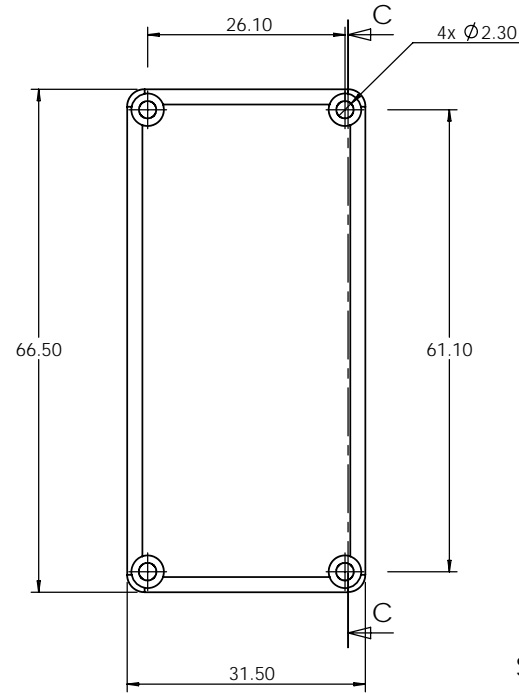
ISO VIEW
1:2



BASE

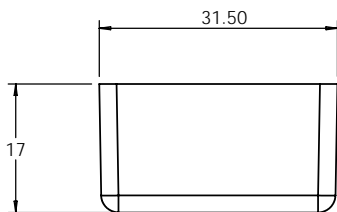


SECTION A-A



LID

SECTION C-C



<p>JAMES CARTER RD, MILDENHALL, SUFFOLK. IP28 7DE TEL: 01638 716101 FAX: 01638 716554 EMAIL: SALES@BOSS-ENCLOSURES.CO.UK WEB: www.BOSS-ENCLOSURES.CO.UK</p>				UNLESS OTHERWISE SPECIFIED: DIMENSIONS ARE IN MILLIMETERS		DO NOT SCALE DRAWING		REVISION. 0		
				FINISH: LIGHT SPARK		TITLE: ASSEMBLY DRG FOR 215				
DRAWN S.HARDINGE		SIGNED SJH		DATE 15/03/07		MATERIAL: ABS		DWG NO. 215		A4
CHK'D -		-		-		PROJECTION. 		SCALE: 1:1		SHEET 1 OF 1