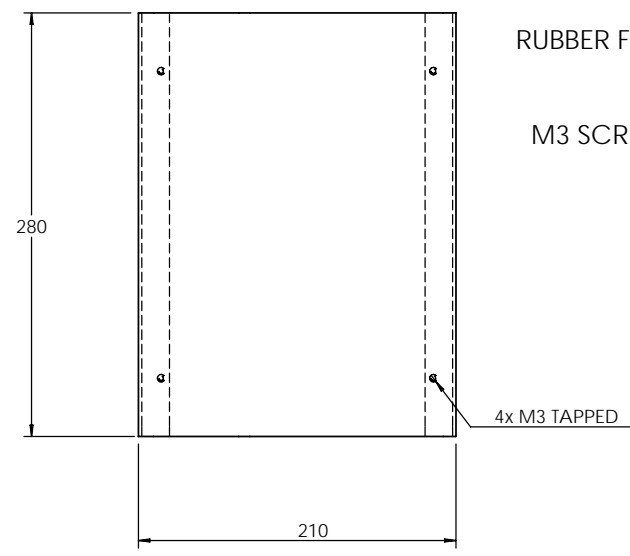
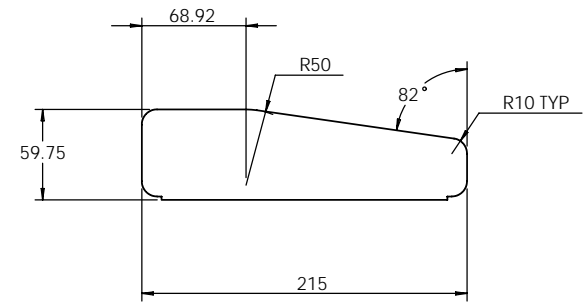
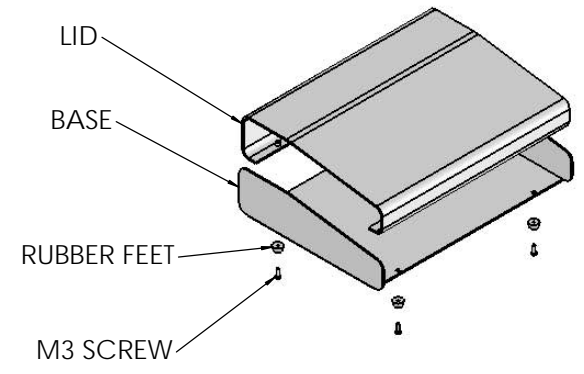
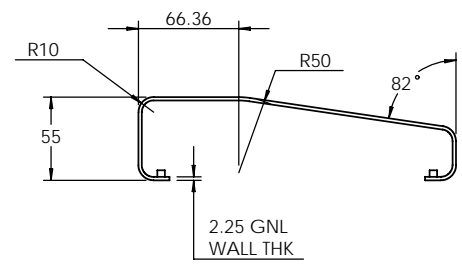



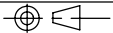
BASE



LID



ISO VIEW
1:8

 JAMES CARTER RD, MILDENHALL, SUFFOLK. IP28 7DE TEL: 01638 716101 FAX: 01638 716554 EMAIL: SALES@BOSS-ENCLOSURES.CO.UK WEB: www.BOSS-ENCLOSURES.CO.UK				UNLESS OTHERWISE SPECIFIED: DIMENSIONS ARE IN MILLIMETERS		DO NOT SCALE DRAWING		REVISION. 0	
				FINISH: TEXTURED PAINT		TITLE: ASSEMBLY DRG FOR 2602			
DRAWN S.HARDINGE		SIGNED SJH	DATE 01/03/07	MATERIAL: ALUMINIUM		DWG NO. 2602		A4	
CHK'D -		-	-	PROJECTION. 		SCALE: 1:5		SHEET 1 OF 1	