

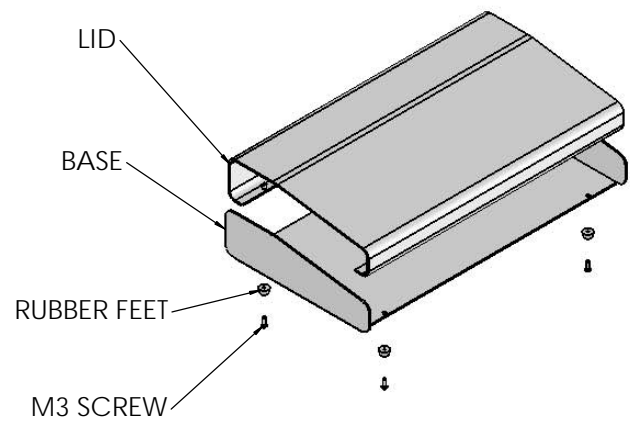
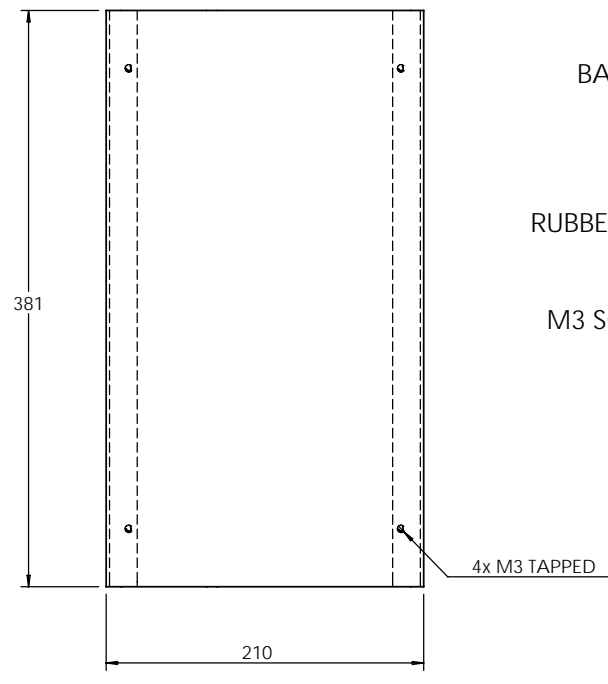
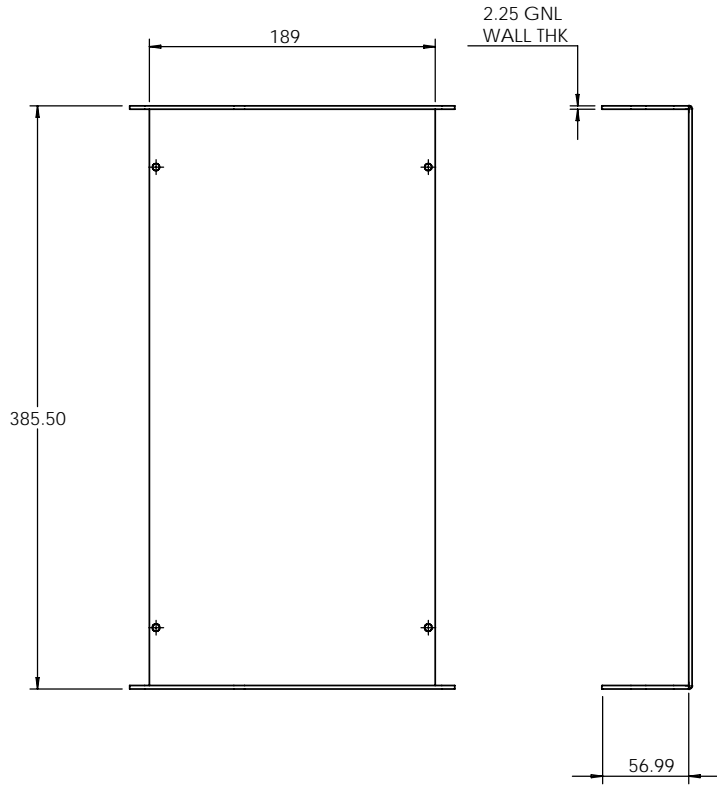
1 2 3 4 5 6

A

B

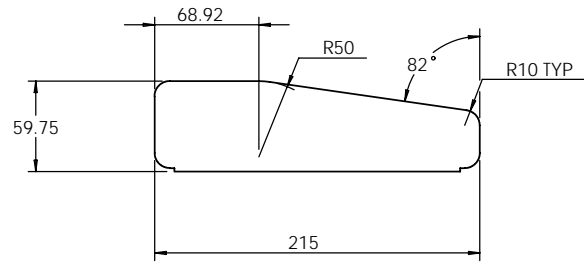
C

D

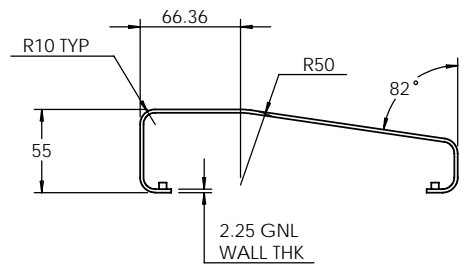



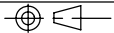
ISO VIEW
1:8

BASE



LID



 JAMES CARTER RD, MILDENHALL, SUFFOLK. IP28 7DE TEL: 01638 716101 FAX: 01638 716554 EMAIL: SALES@BOSS-ENCLOSURES.CO.UK WEB: WWW.BOSS-ENCLOSURES.CO.UK				UNLESS OTHERWISE SPECIFIED: DIMENSIONS ARE IN MILLIMETERS		DO NOT SCALE DRAWING		REVISION. O		
				FINISH: TEXTURED PAINT		TITLE: ASSEMBLY DRG FOR 2603				
DRAWN S.HARDINGE		SIGNED SJH		DATE 01/03/07		MATERIAL: ALUMINIUM		DWG NO. 2603		A4
CHK'D -		-		-		PROJECTION. 		SCALE: 1:5		SHEET 1 OF 1

1 2 3