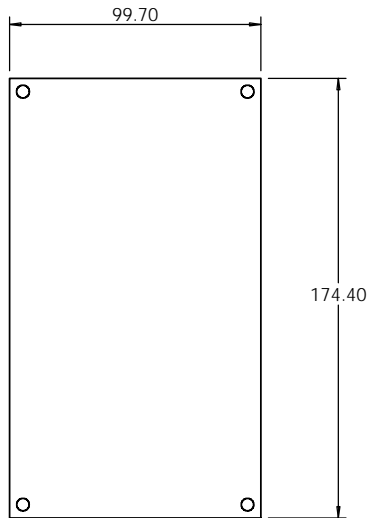
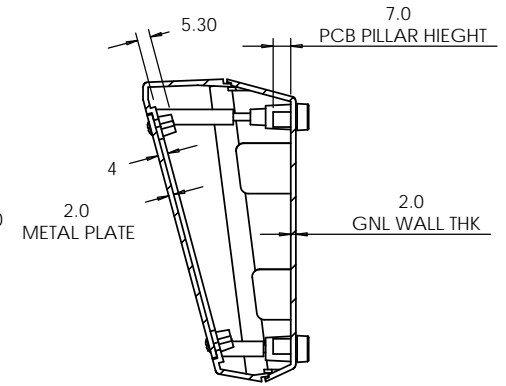
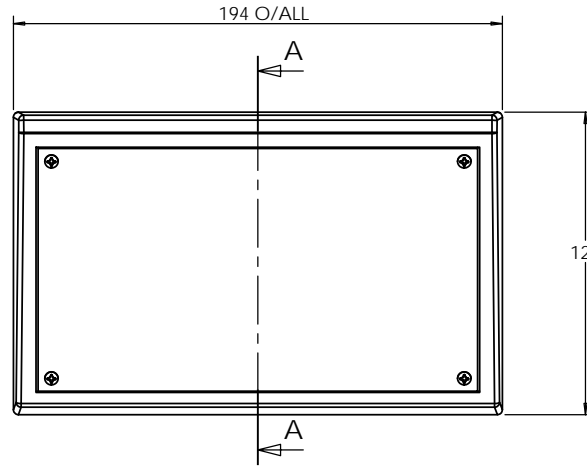
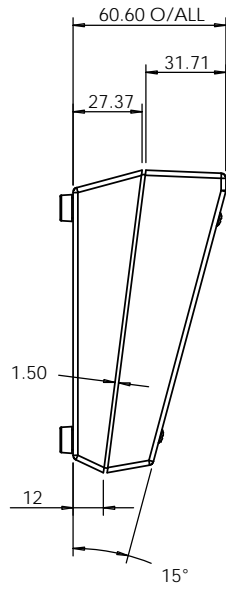
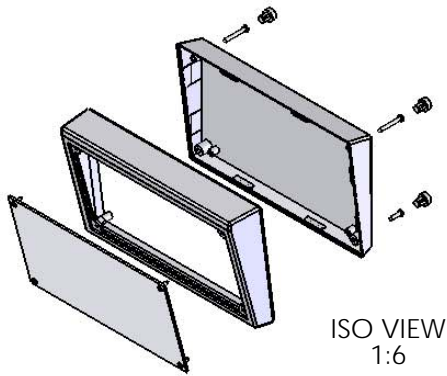


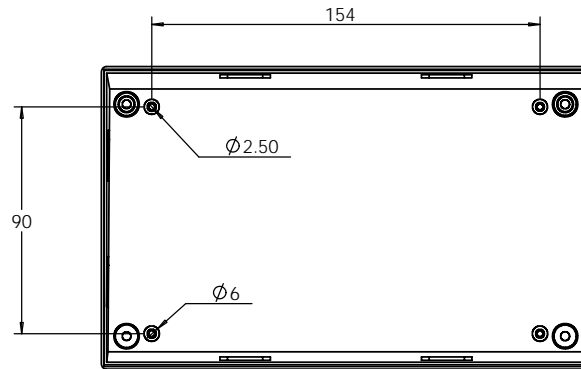
OVERALL ASSEMBLY DIMENSIONS:

EXTERNAL - 194 x 120 x 60.6

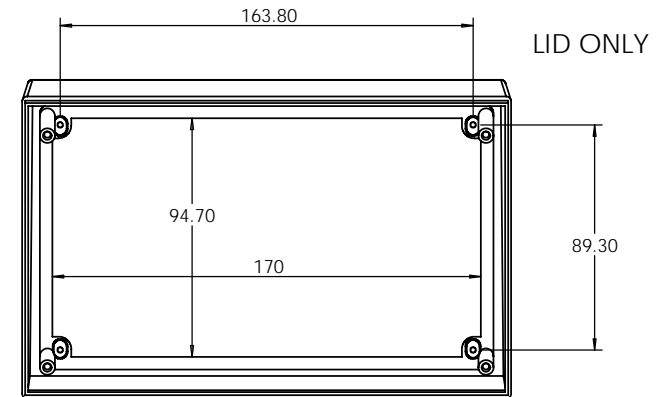
INTERNAL - 190 x 116 x 54.6



METAL PANEL



BASE ONLY



LID ONLY

<p>JAMES CARTER RD, MILDENHALL, SUFFOLK. IP28 7DE TEL: 01638 716101 FAX: 01638 716554 EMAIL: SALES@BOSS-ENCLOSURES.CO.UK WEB: www.BOSS-ENCLOSURES.CO.UK</p>		UNLESS OTHERWISE SPECIFIED: DIMENSIONS ARE IN MILLIMETERS		DO NOT SCALE DRAWING	REVISION. 0
		FINISH: -----		TITLE: GNL ASSEMBLY DRG FOR 2801 DESKTOP CONSOLE	
DRAWN	S.HARDINGE	SIGNED	SJH	DATE	02/04/08
CHK'D	-	-	-	-	-
MATERIAL. ABS CASE & AL PANEL		DWG NO.		2801	
PROJECTION.				SCALE: 1:3	SHEET 1 OF 1
				A4	