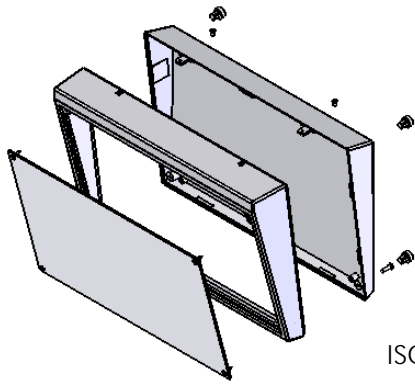


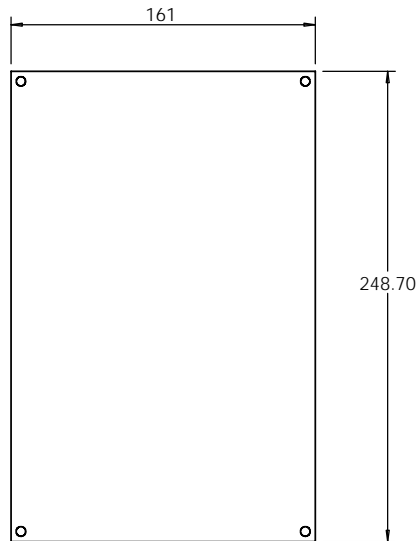
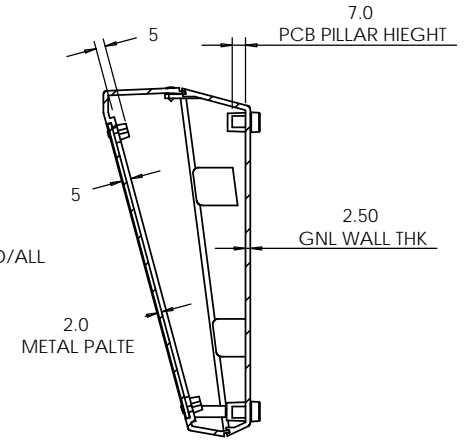
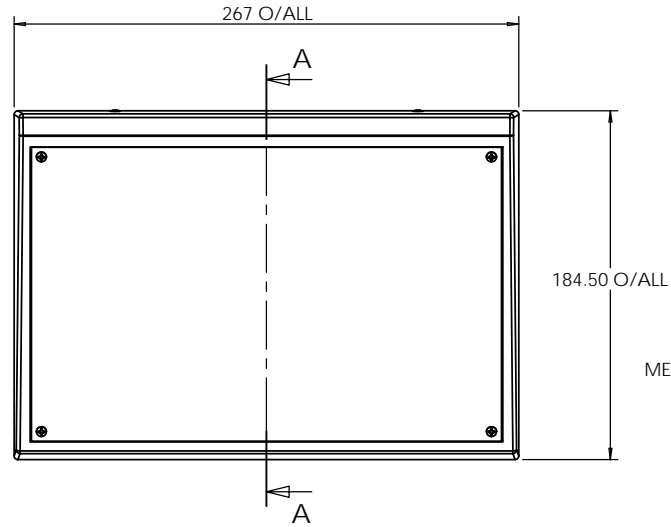
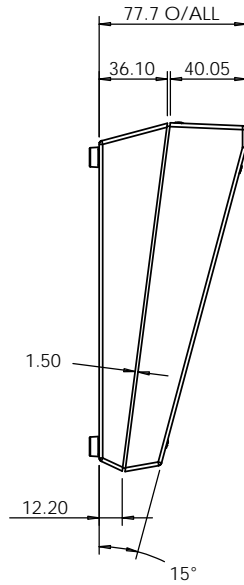
OVERALL ASSEMBLY DIMENSIONS:

EXTERNAL - 267 x 184.5 x 77.7

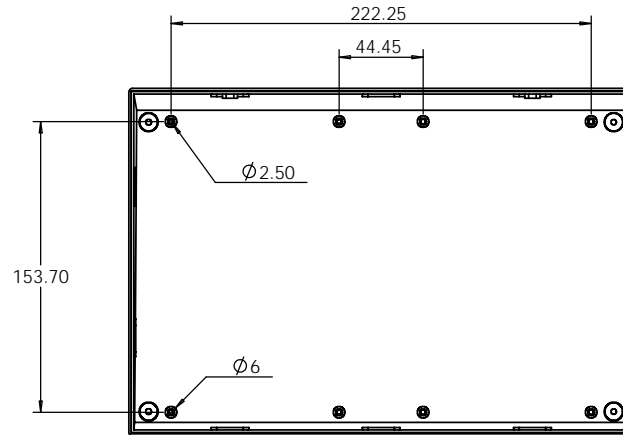
INTERNAL - 262 x 179.5 x 70.2



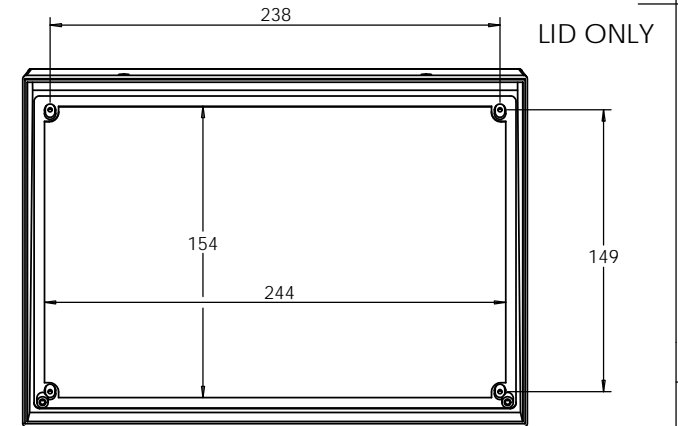
ISO VIEW  
1:7



METAL PLATE



BASE ONLY



LID ONLY

		UNLESS OTHERWISE SPECIFIED: DIMENSIONS ARE IN MILLIMETERS		DO NOT SCALE DRAWING	REVISION. 0
		FINISH: -----		TITLE: GNL ASSEMBLY DRG FOR 2802 DESKTOP CONSOLE	
JAMES CARTER RD, MILDENHALL, SUFFOLK. IP28 7DE TEL: 01638 716101 FAX: 01638 716554 EMAIL: SALES@BOSS-ENCLOSURES.CO.UK WEB: www.BOSS-ENCLOSURES.CO.UK		MATERIAL. ABS CASE & AL PANEL	DWG NO.	2802	A4
DRAWN	S.HARDINGE	SJH	03/04/08	SCALE: 1:4	SHEET 1 OF 1
CHK'D	-	-	-	PROJECTION.	