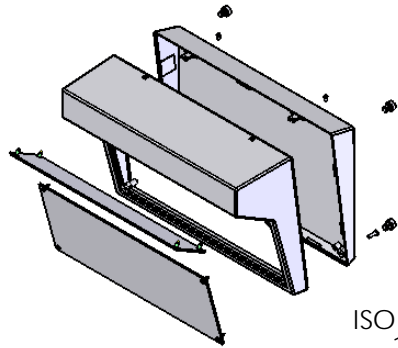


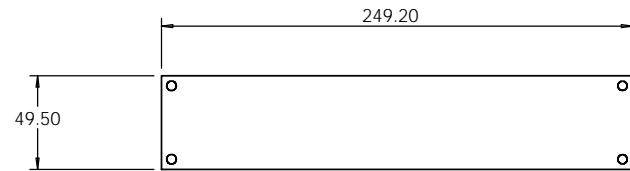
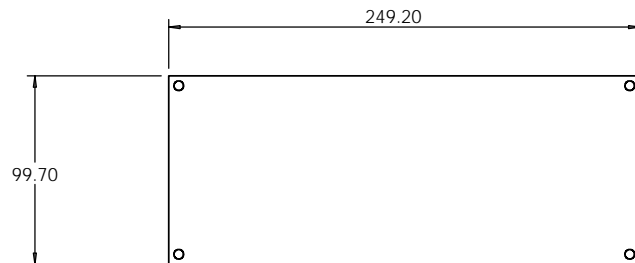
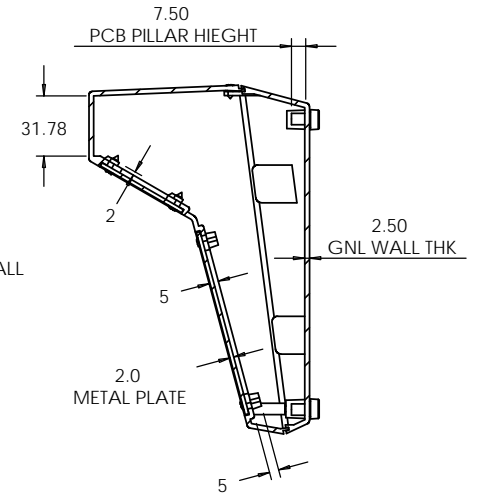
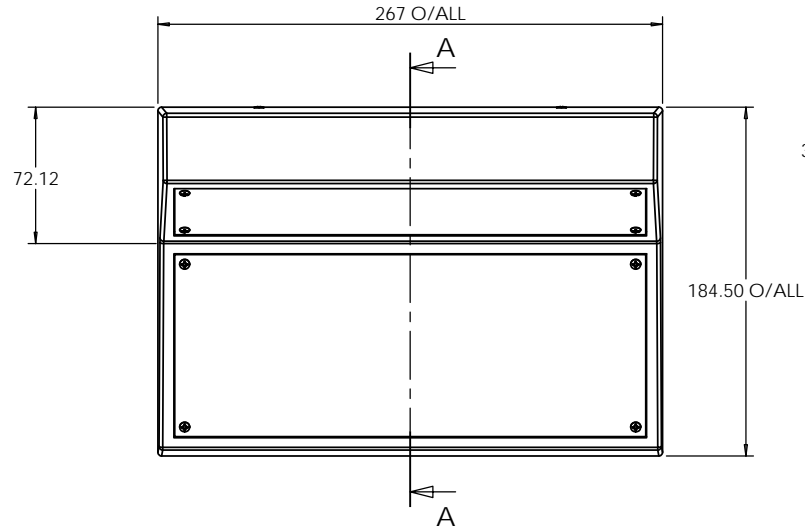
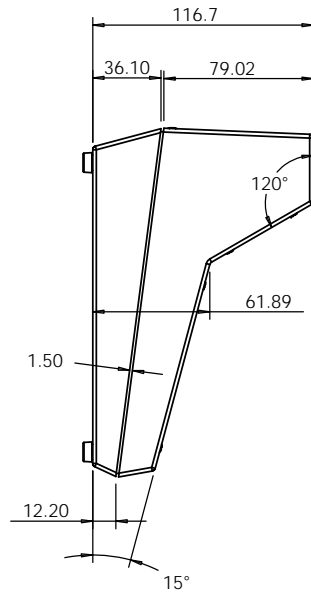
OVERALL ASSEMBLY DIMENSION:

EXTERNAL - 267 x 184.5 x 116.7

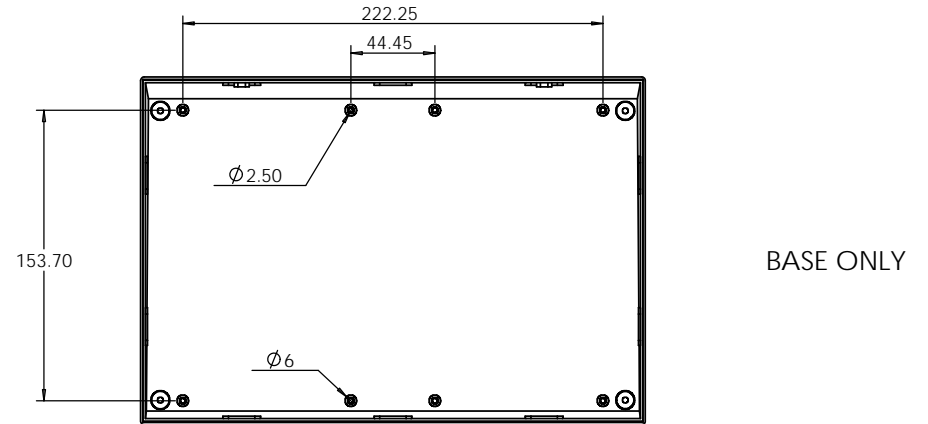
INTERNAL - 262 x 179.5 x 111.5



ISO VIEW
1:8



METAL PANELS



BASE ONLY

<p>JAMES CARTER RD, MILDENHALL, SUFFOLK. IP28 7DE TEL: 01638 716101 FAX: 01638 716554 EMAIL: SALES@BOSS-ENCLOSURES.CO.UK WEB: www.BOSS-ENCLOSURES.CO.UK</p>				UNLESS OTHERWISE SPECIFIED: DIMENSIONS ARE IN MILLIMETERS		DO NOT SCALE DRAWING		REVISION. 0		
				FINISH: - - - - -		TITLE: GNL ASSEMBLY DRG FOR 2803 DESKTOP CONSOLE				
DRAWN S.HARDINGE		SIGNED SJH		DATE 03/04/08		MATERIAL. ABS CASE & AL PANELS		DWG NO. 2803		A4
CHK'D -		-		-		PROJECTION.		SCALE. 1 : 4		SHEET 1 OF 1