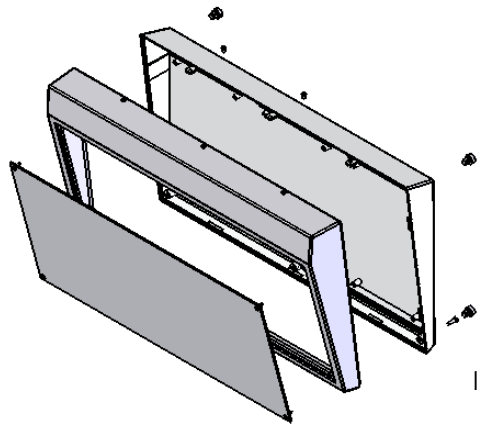


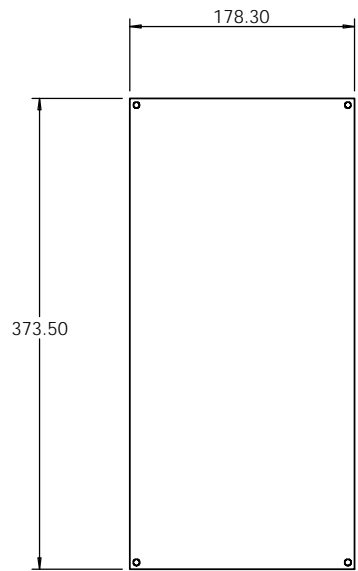
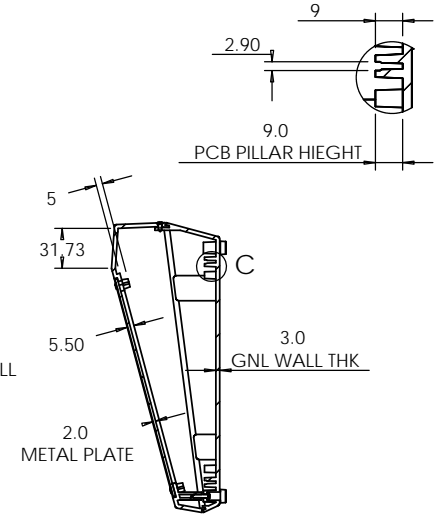
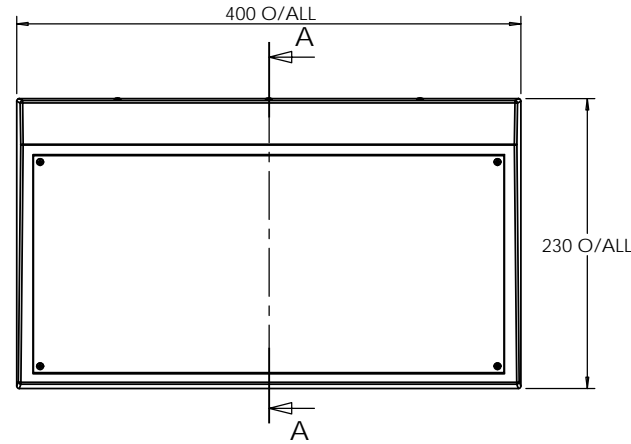
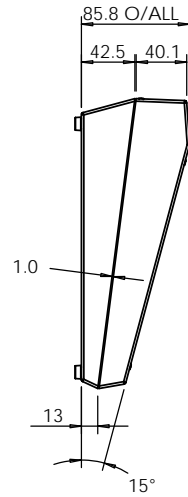
OVERALL ASSEMBLY DIMENSIONS:

EXTERNAL - 400 x 230 x 85.8

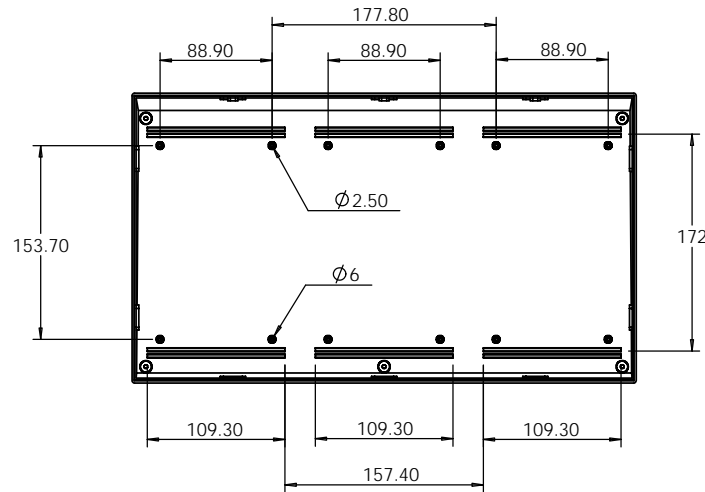
INTERNAL - 494 x 224 x 78



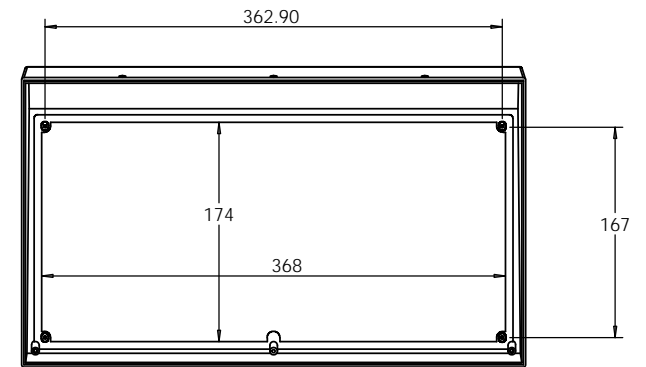
ISO VIEW
1:8



METAL PLATE



BASE ONLY



LID ONLY

<p>JAMES CARTER RD, MILDENHALL, SUFFOLK. IP28 7DE TEL: 01638 716101 FAX: 01638 716554 EMAIL: SALES@BOSS-ENCLOSURES.CO.UK WEB: www.BOSS-ENCLOSURES.CO.UK</p>				UNLESS OTHERWISE SPECIFIED: DIMENSIONS ARE IN MILLIMETERS		DO NOT SCALE DRAWING		REVISION. 0	
				FINISH: -----		TITLE: GNL ASSEMBLY DRG FOR 2804 DESKTOP CONSOLE			
DRAWN S.HARDINGE		SIGNED SJH	DATE 03/04/08	MATERIAL. ABS CASE & AL PANEL		DWG NO. 2804		A4	
CHK'D -		-	-	PROJECTION.		SCALE. 1 : 4		SHEET 1 OF 1	