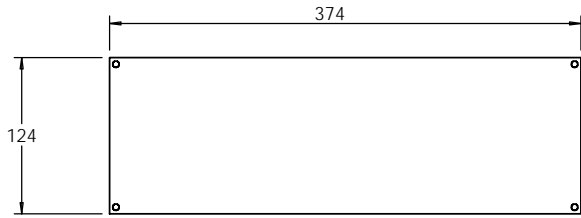
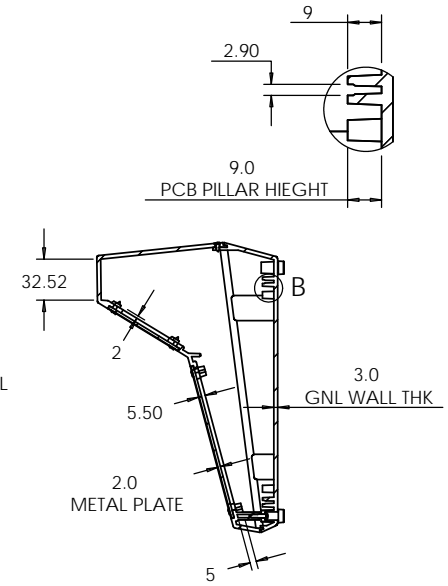
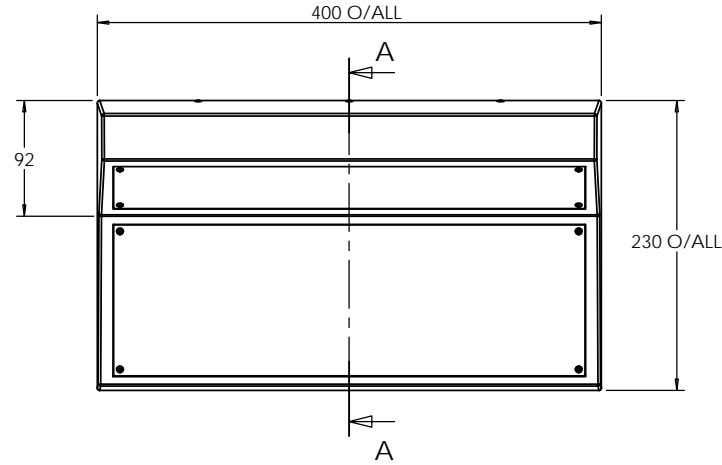
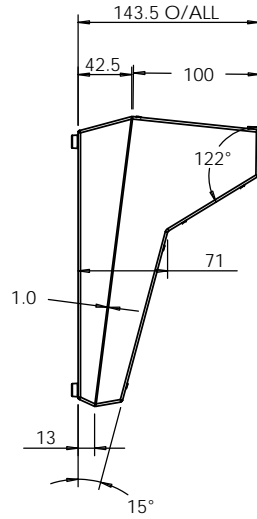
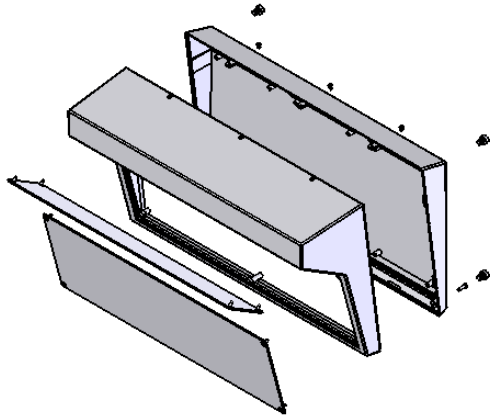


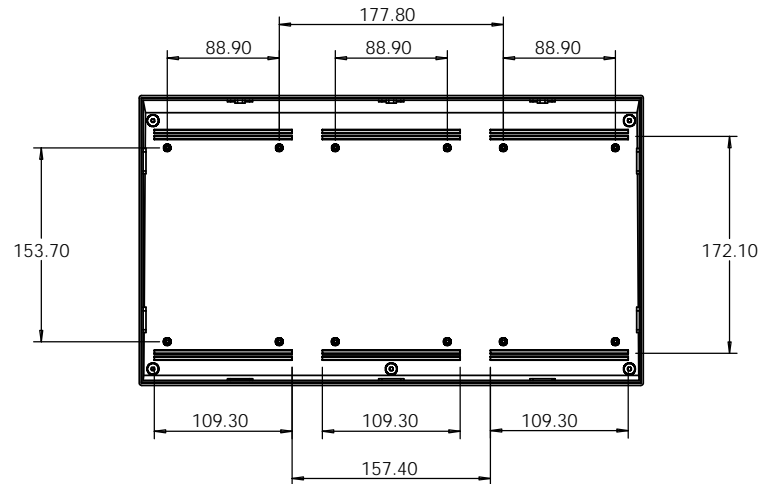
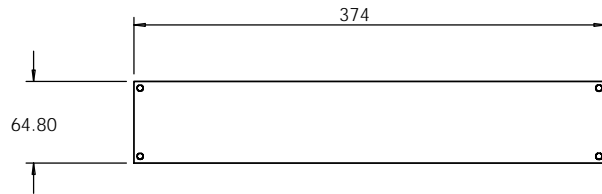
OVERALL ASSEMBLY DIMENSIONS:

EXTERNAL - 400 x 230 x 143.5

INTERNAL - 394 x 224 x 137.5



METAL PANELS



BASE ONLY

<p>JAMES CARTER RD, MILDENHALL, SUFFOLK. IP28 7DE TEL: 01638 716101 FAX: 01638 716554 EMAIL: SALES@BOSS-ENCLOSURES.CO.UK WEB: www.BOSS-ENCLOSURES.CO.UK</p>		UNLESS OTHERWISE SPECIFIED: DIMENSIONS ARE IN MILLIMETERS		DO NOT SCALE DRAWING	REVISION. 0
		FINISH: -----		TITLE: GNL ASSEMBLY DRG FOR 2805 DESKTOP CONSOLE	
DRAWN	NAME S.HARDINGE	SIGNED SJH	DATE 03/04/08	MATERIAL. ABS CASE & AL PANEL	DWG NO. 2805
CHK'D	-	-	-	PROJECTION.	SCALE. 1 : 6
				SHEET 1 OF 1	

A4