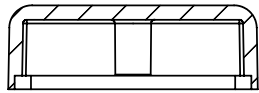


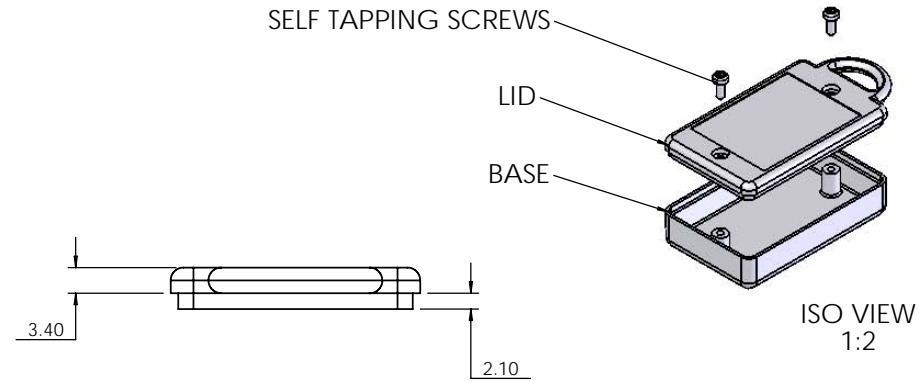
OVERALL ASSEMBLY DIMENSIONS:

EXTERNAL - 65 x 33 x 15

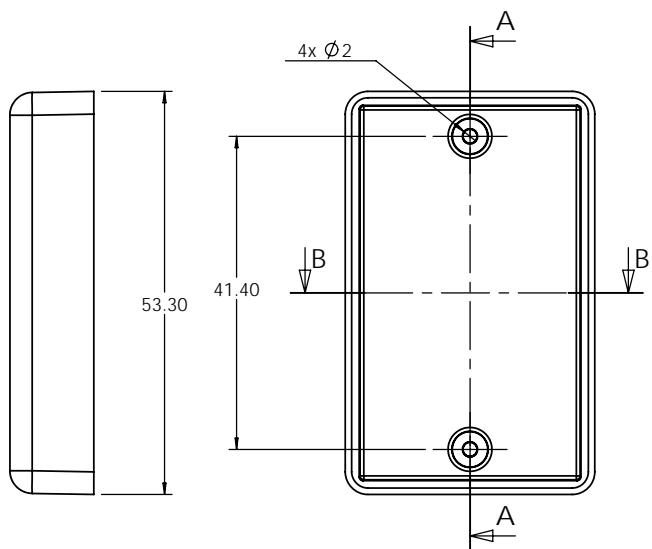
INTERNAL - 49.5 x 29 x 11



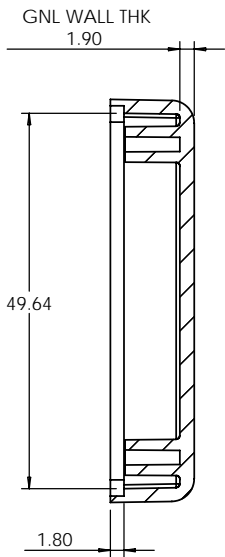
SECTION B-B



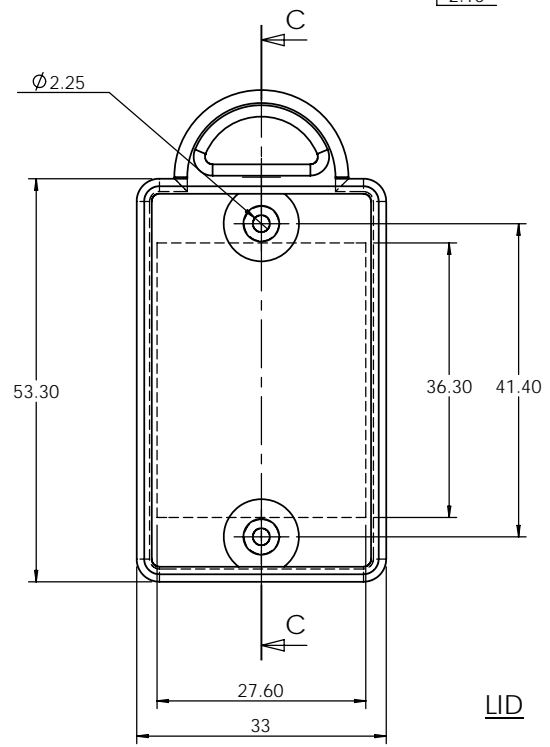
ISO VIEW  
1:2



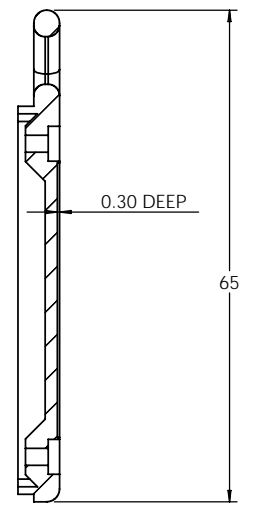
BASE



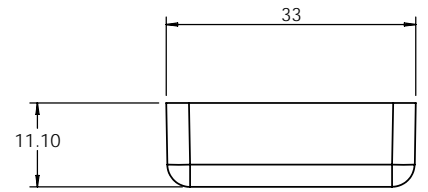
SECTION A-A



LID



SECTION C-C



<p>JAMES CARTER RD, MILDENHALL, SUFFOLK. IP28 7DE          TEL: 01638 716101 FAX: 01638 716554          EMAIL: SALES@BOSS-ENCLOSURES.CO.UK          WEB: www.BOSS-ENCLOSURES.CO.UK</p>				UNLESS OTHERWISE SPECIFIED: DIMENSIONS ARE IN MILLIMETERS		DO NOT SCALE DRAWING		REVISION. 0	
				FINISH: <b>LIGHT SPARK</b>		TITLE: <b>ASSEMBLY DRG FOR 2956-</b>			
DRAWN S.HARDINGE		SIGNED SJH		DATE 19/02/08		MATERIAL: <b>ABS</b>		DWG NO. <b>2956-</b>	
CHK'D -		-		-		PROJECTION. 		SCALE: 1:1	
								SHEET 1 OF 1	

A4