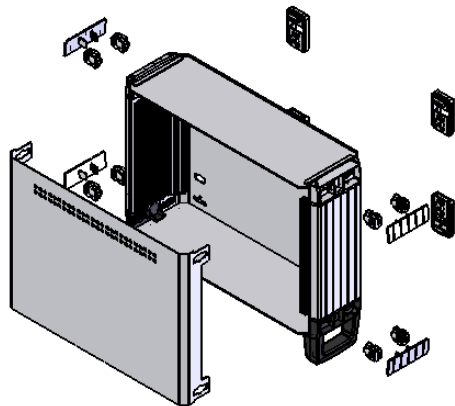
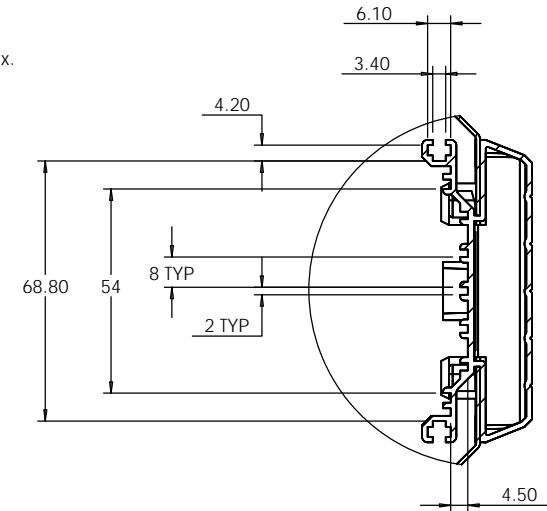
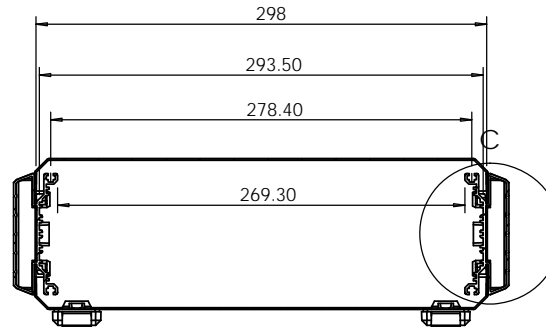
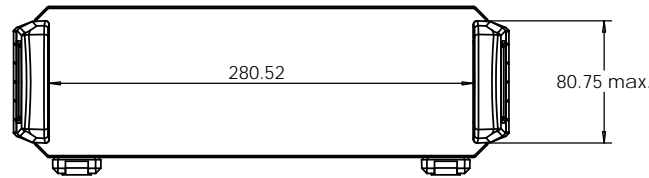


OVERALL ASSEMBLY DIMENSIONS:
EXTERNAL - 327.5 x 270.8 x 99.8
INTERNAL - 298 x 211 x 97.8



ISO VIEW
1:9

| | | | | | | | | | | |
|-------------------------------------------------------------------------------------------------------------------------------------------------------------------------|--|---------------|--|--------------------------------------------------------------|--|------------------------------------------------------------------------|--|----------------------------|--|--------------|
| <p>JAMES CARTER RD, MILDENHALL, SUFFOLK. IP28 7DE TEL: 01638 716101 FAX: 01638 716554 EMAIL: SALES@BOSS-ENCLOSURES.CO.UK WEB: www.BOSS-ENCLOSURES.CO.UK</p> | | | | UNLESS OTHERWISE SPECIFIED: DIMENSIONS ARE IN MILLIMETERS | | DO NOT SCALE DRAWING | | REVISION. O | | |
| | | | | FINISH: - - - - | | TITLE: GNL ASSEMBLY DRG FOR 110 SERIES - INSTRUMENT CASE | | | | |
| DRAWN S.HARDINGE | | SIGNED SJH | | DATE 03/07/08 | | MATERIAL. VAR | | DWG NO. 31110005 | | A4 |
| CHK'D - | | - | | - | | PROJECTION. | | SCALE: 1:5 | | SHEET 1 OF 1 |