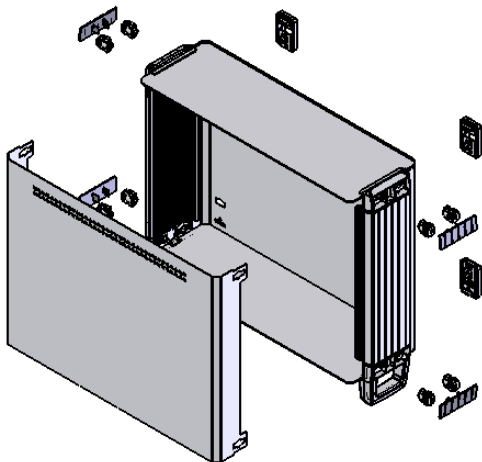
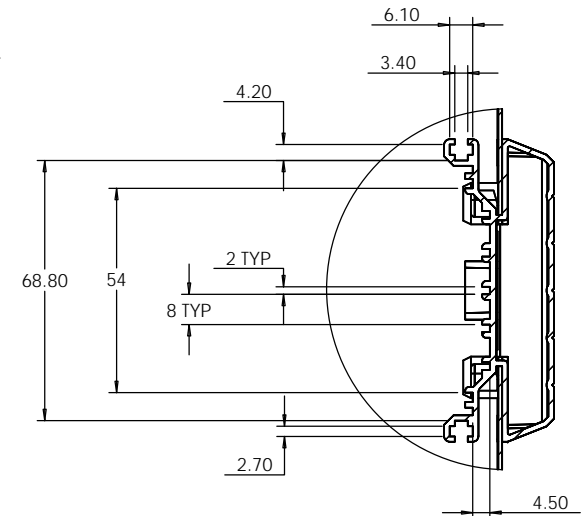
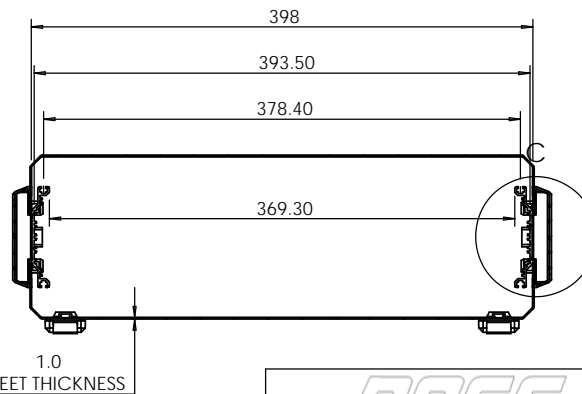
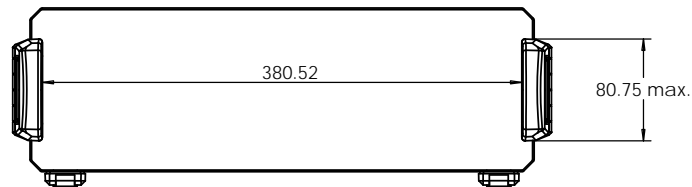


OVERALL ASSEMBLY DIMENSIONS:

EXTERNAL - 427.5 x 351 x 130

INTERNAL - 398 x 291 x 128



ISO VIEW  
1:10

		UNLESS OTHERWISE SPECIFIED: DIMENSIONS ARE IN MILLIMETERS		DO NOT SCALE DRAWING		REVISION: 0	
		FINISH: -----		TITLE: <b>GNL ASSEMBLY DRG FOR 110 SERIES - INSTRUMENT CASE</b>			
JAMES CARTER RD, MILDENHALL, SUFFOLK. IP28 7DE TEL: 01638 716101 FAX: 01638 716554 EMAIL: SALES@BOSS-ENCLOSURES.CO.UK WEB: www.BOSS-ENCLOSURES.CO.UK		MATERIAL: <b>VAR</b>		DWG NO. <b>31110007</b>		A4	
DRAWN S.HARDINGE	SIGNED SJH	DATE 03/07/08	PROJECTION 	SCALE: 1:6		SHEET 1 OF 1	