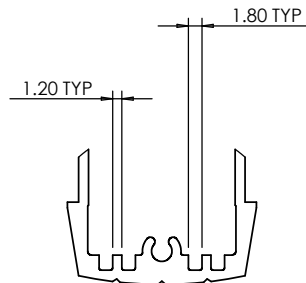
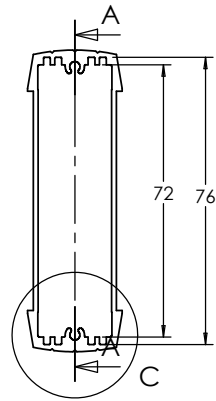
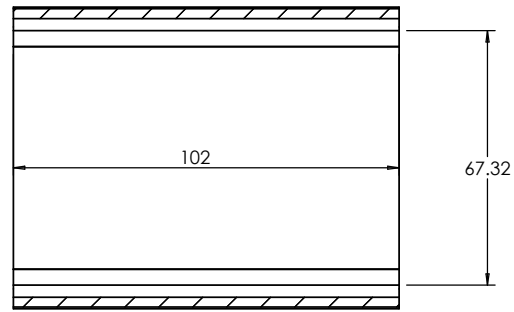
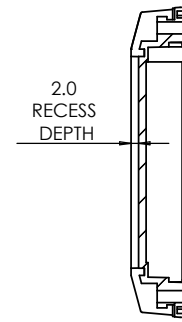


SECTION A-A

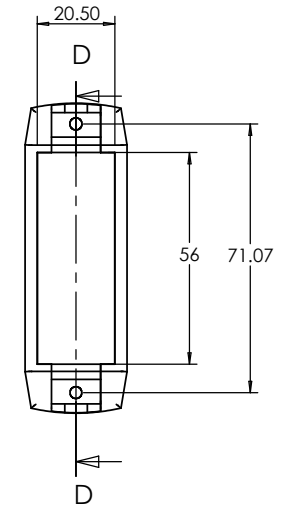


DETAIL C

SECTION D-D

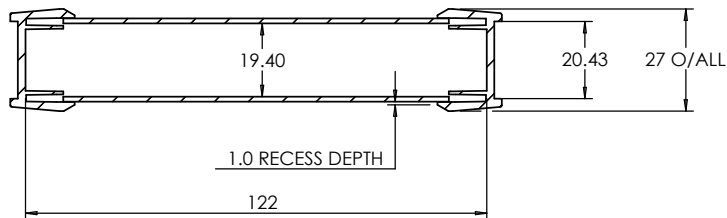
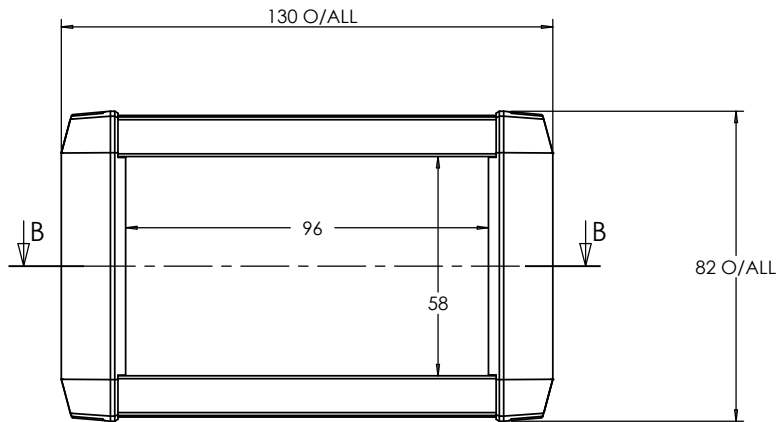


END COVER



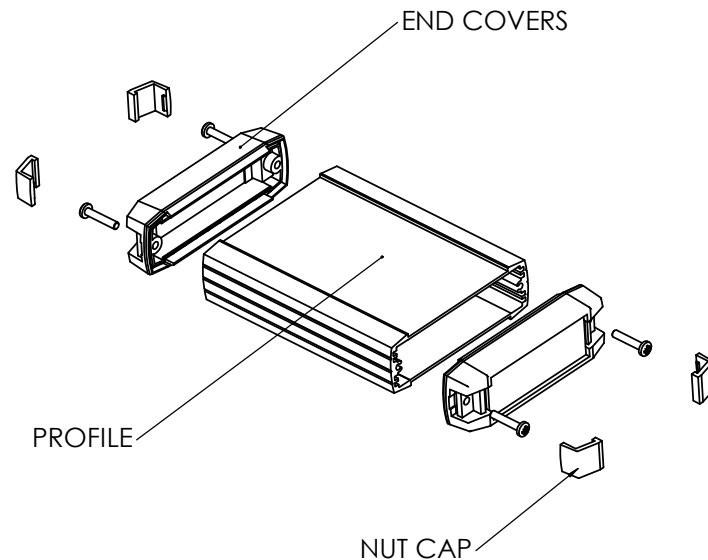
PROFILE

ASSEMBLY



SECTION B-B

ISO VIEW
1:3



| | | | | | |
|---|-----------------------|--|------------------|---|--------------|
| | | UNLESS OTHERWISE SPECIFIED: DIMENSIONS ARE IN MILLIMETERS | | DO NOT SCALE DRAWING | REVISION. 0 |
| | | FINISH: EPOXY PAINT | | TITLE: GNL ASSEMBLY DRG FOR 50 SERIES | |
| JAMES CARTER RD, MILDENHALL, SUFFOLK. IP28 7DE TEL: 01638 716101 FAX: 01638 716554 EMAIL: SALES@BOSS-ENCLOSURES.CO.UK WEB: www.BOSS-ENCLOSURES.CO.UK | | MATERIAL: ALUMINIUM | DWG NO. | 31150001 | |
| DRAWN | NAME SUBKHANKULOVA | SIGNED LS | DATE 03/03/09 | SCALE: 1:2 | A4 |
| CHK'D | - | - | - | PROJECTION. | SHEET 1 OF 1 |