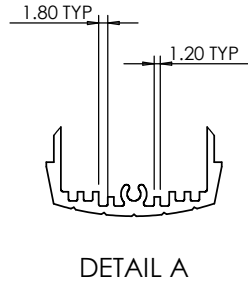
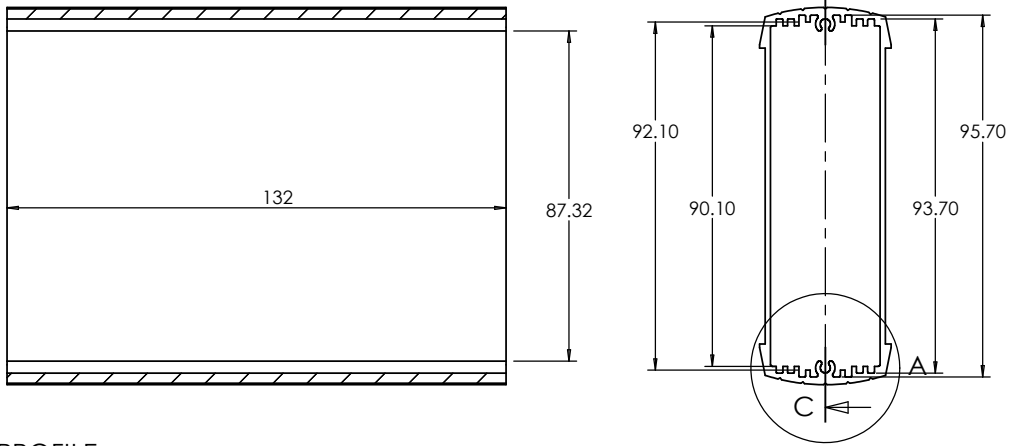
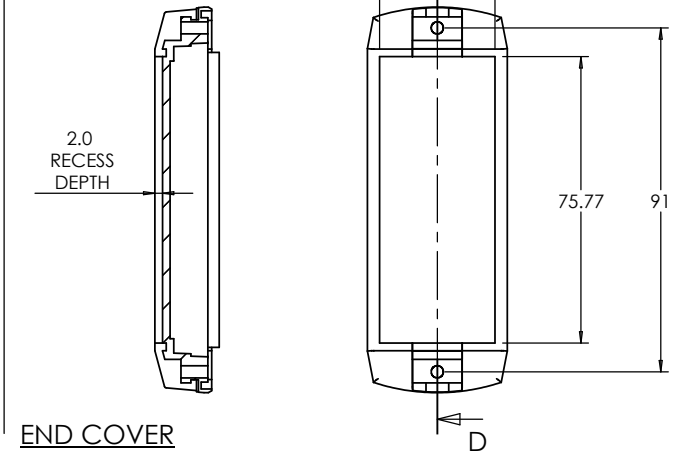


SECTION C-C

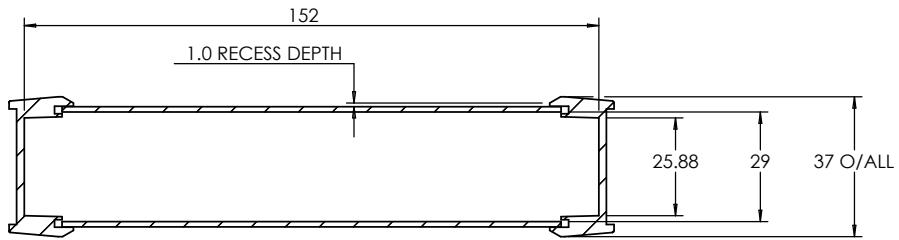


SECTION D-D

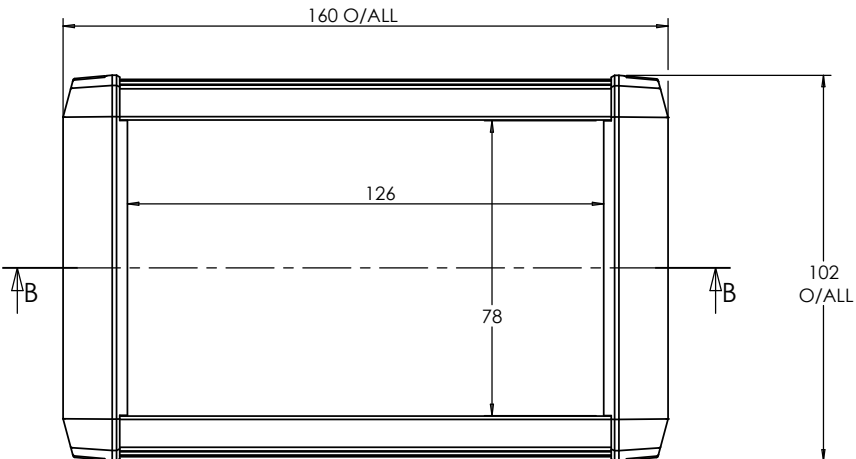


PROFILE

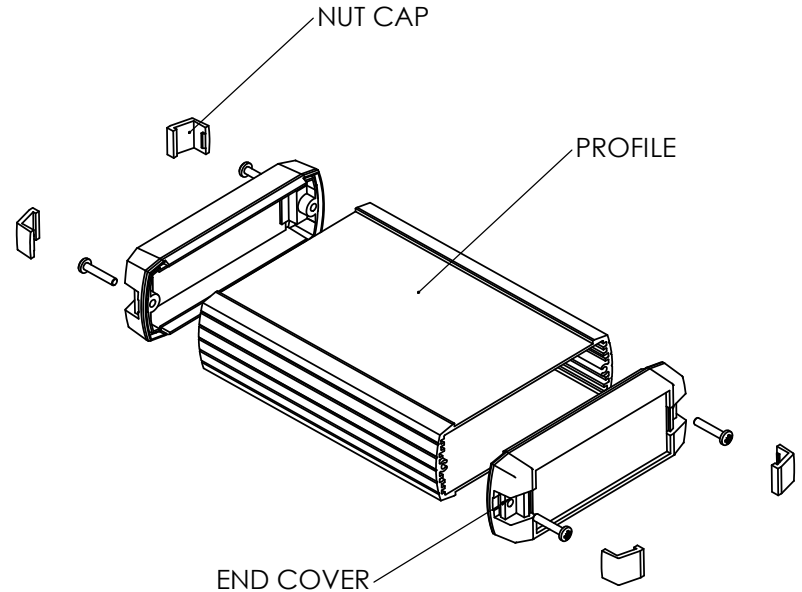
ASSEMBLY



SECTION B-B



ISO VIEW
1:3



		UNLESS OTHERWISE SPECIFIED: DIMENSIONS ARE IN MILLIMETERS		DO NOT SCALE DRAWING	REVISION. 0
		FINISH: EPOXY PAINT		TITLE: GNL ASSEMBLY DRG FOR 50 SERIES	
JAMES CARTER RD, MILDENHALL, SUFFOLK. IP28 7DE TEL: 01638 716101 FAX: 01638 716554 EMAIL: SALES@BOSS-ENCLOSURES.CO.UK WEB: www.BOSS-ENCLOSURES.CO.UK		MATERIAL: ALUMINIUM	DWG NO.	31150003	
NAME SUBKHANKULOVA	SIGNED LS	DATE 03/03/09	PROJECTION.	SCALE: 1:2	SHEET 1 OF 1
DRAWN CHK'D	NAME -	SIGNED -	DATE -		A4