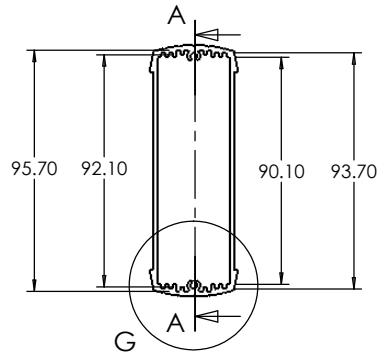
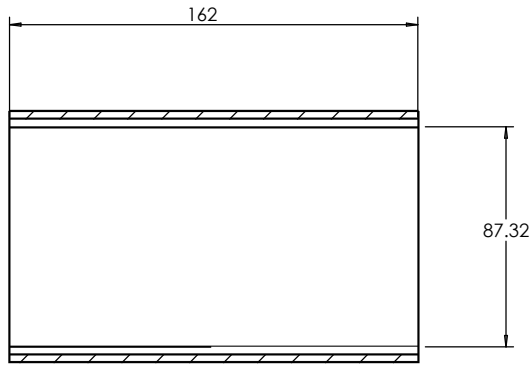
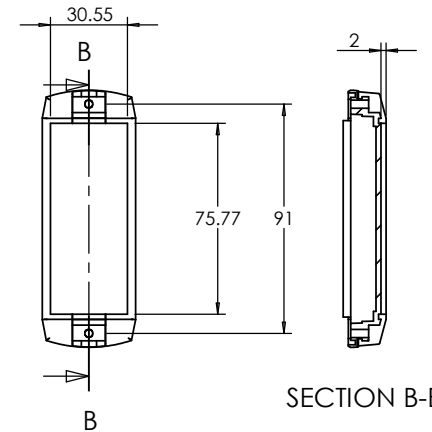
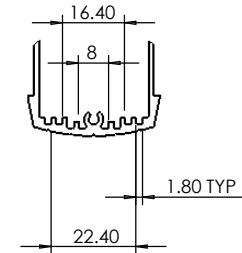


SECTION A-A  
SCALE 1 : 3



DETAIL G

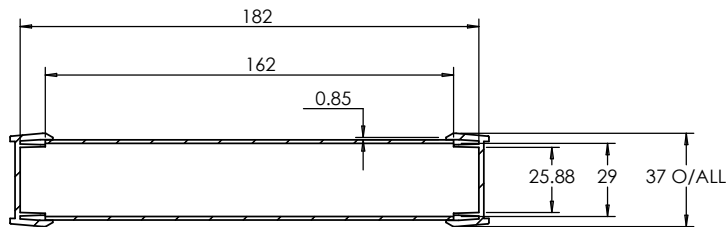
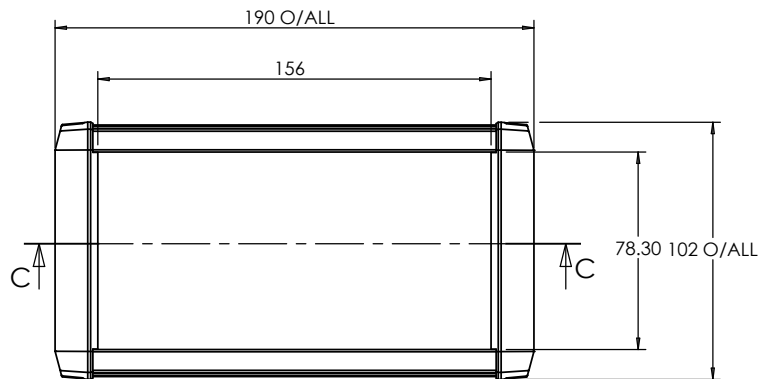


SECTION B-B

END COVER

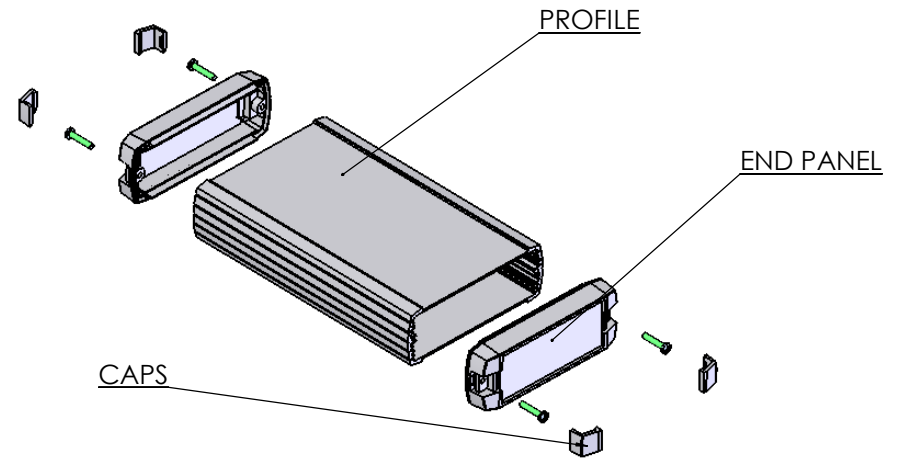
PROFILE

ASSEMBLY



SECTION C-C

ISO VIEW  
1:4



		UNLESS OTHERWISE SPECIFIED: DIMENSIONS ARE IN MILLIMETERS		DO NOT SCALE DRAWING	REVISION. 0
		FINISH: EPOXY PAINT		TITLE: GNL ASSEMBLY DRG FOR 50 SERIES	
JAMES CARTER RD, MILDENHALL, SUFFOLK. IP28 7DE TEL: 01638 716101 FAX: 01638 716554 EMAIL: SALES@BOSS-ENCLOSURES.CO.UK WEB: www.BOSS-ENCLOSURES.CO.UK		MATERIAL: ALUMINIUM		DWG NO.	31150004
DRAWN	L SUBKHANKULOVA	LS	24/12/08	SCALE: 1 : 3	SHEET 1 OF 1
CHK'D	STUART HARDINGE	SH	05/01/09	PROJECTION.	A4