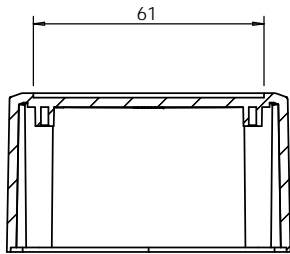


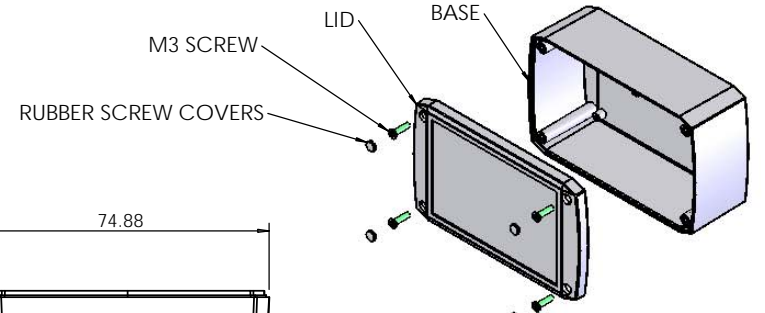
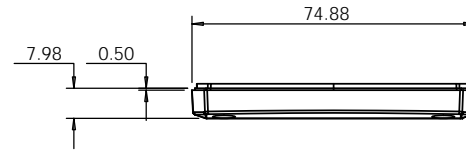
OVERALL ASSEMBLY DIMENSIONS:

EXTERNAL - 125 x 75 x 50

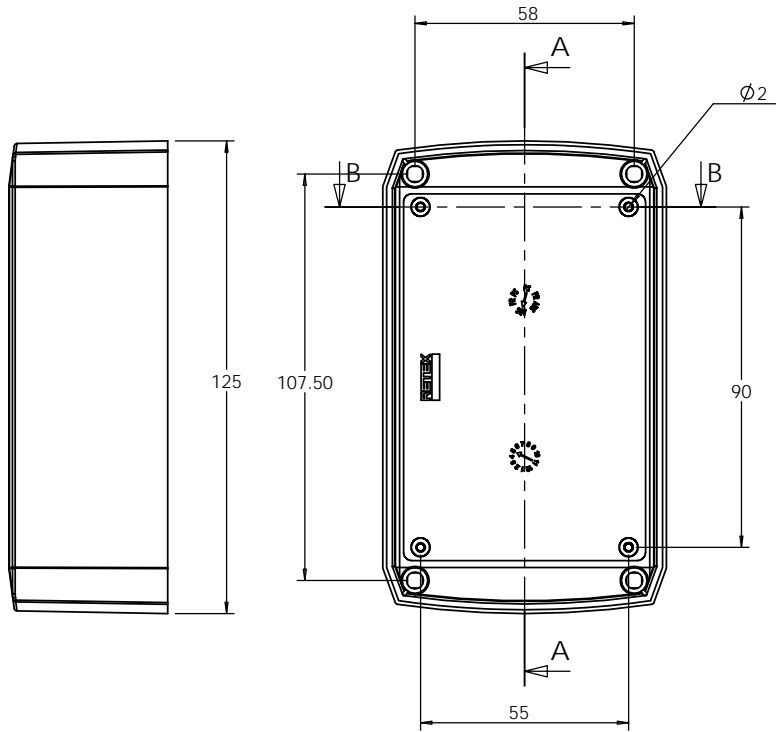
INTERNAL - 120 x 70 x 42.5



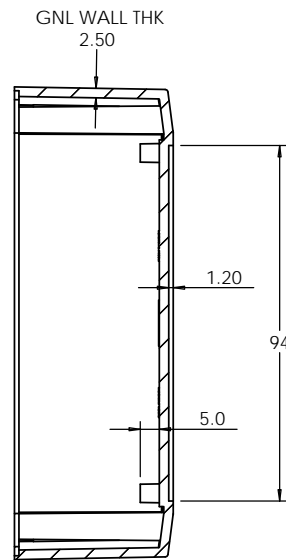
SECTION B-B



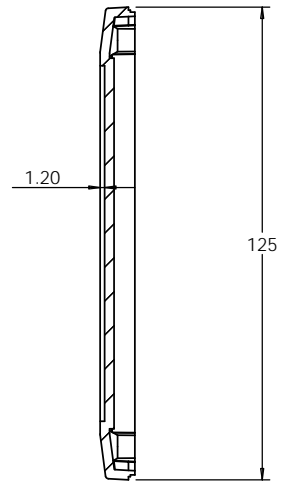
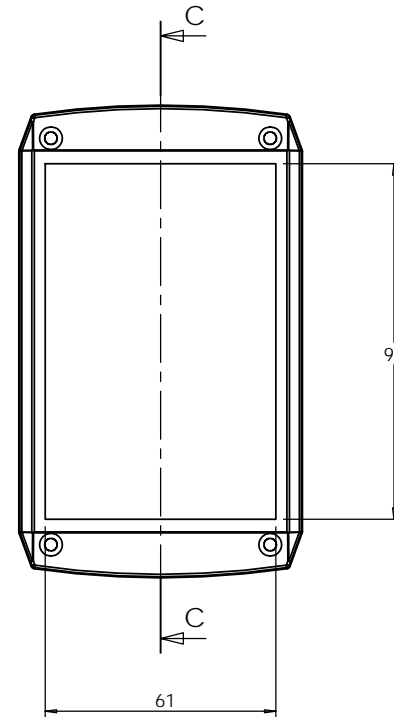
ISO VIEW
1:4



BASE

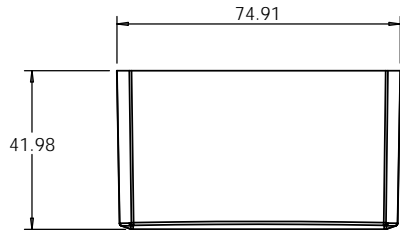


SECTION A-A



SECTION C-C

LID



<p>JAMES CARTER RD, MILDENHALL, SUFFOLK. IP28 7DE TEL: 01638 716101 FAX: 01638 716554 EMAIL: SALES@BOSS-ENCLOSURES.CO.UK WEB: WWW.BOSS-ENCLOSURES.CO.UK</p>				UNLESS OTHERWISE SPECIFIED: DIMENSIONS ARE IN MILLIMETERS		DO NOT SCALE DRAWING		REVISION. 0		
				FINISH: SMOOTH		TITLE: GNL ASSEMBLY DRG FOR 1101 SERIES - 33101003				
DRAWN S.HARDINGE		SIGNED SJH		DATE 02/07/08		MATERIAL: ABS		DWG NO. 33101003		A4
CHK'D						PROJECTION.		SCALE: 1:2		SHEET 1 OF 1