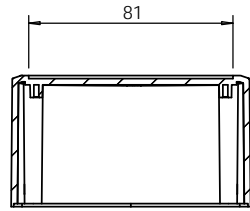
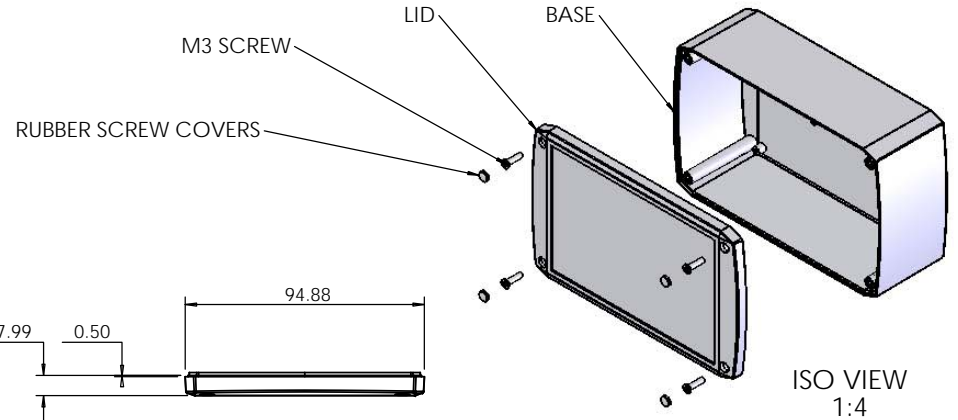


OVERALL ASSEMBLY DIMENSIONS:

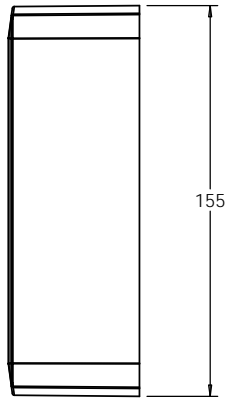
EXTERNAL - 155 x 95 x 60
INTERNAL - 150 x 90 x 52.5



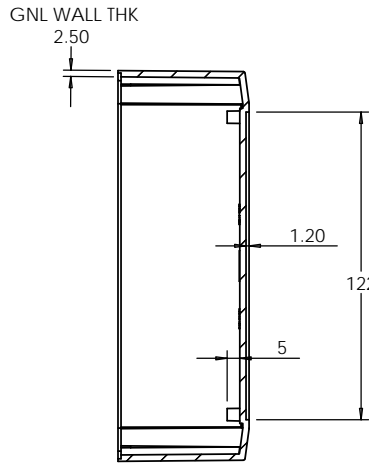
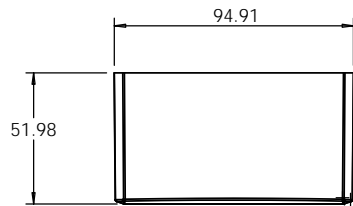
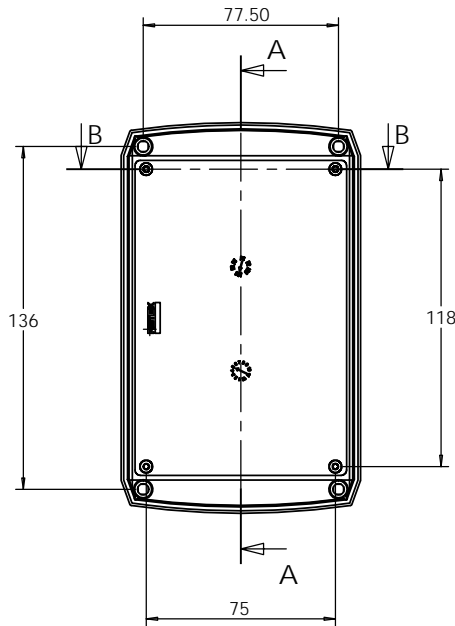
SECTION B-B



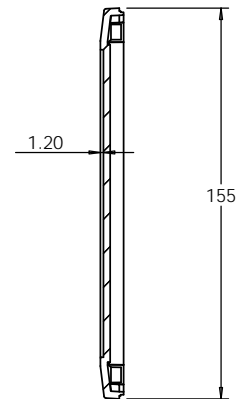
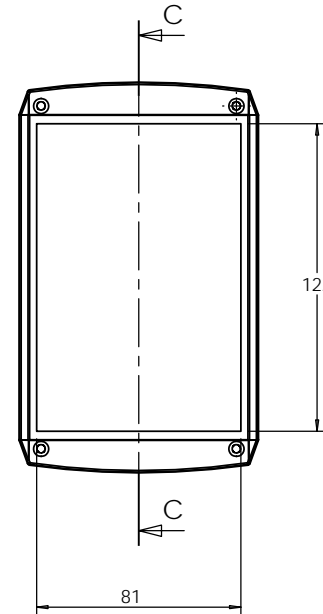
ISO VIEW
1:4



BASE



SECTION A-A



SECTION C-C

LID

<p>JAMES CARTER RD, MILDENHALL, SUFFOLK. IP28 7DE TEL: 01638 716101 FAX: 01638 716554 EMAIL: SALES@BOSS-ENCLOSURES.CO.UK WEB: www.BOSS-ENCLOSURES.CO.UK</p>				UNLESS OTHERWISE SPECIFIED: DIMENSIONS ARE IN MILLIMETERS		DO NOT SCALE DRAWING		REVISION. 0		
				FINISH: SMOOTH		TITLE: GNL ASSEMBLY DRG FOR 1101 SERIES - 33101004				
DRAWN S.HARDINGE		SIGNED SJH		DATE 02/07/08		MATERIAL: ABS		DWG NO. 33101004		A4
CHK'D -		-		-		PROJECTION.		SCALE: 1:3		SHEET 1 OF 1