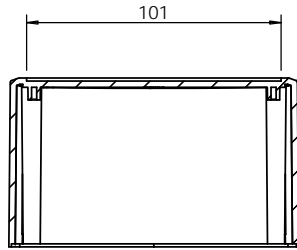


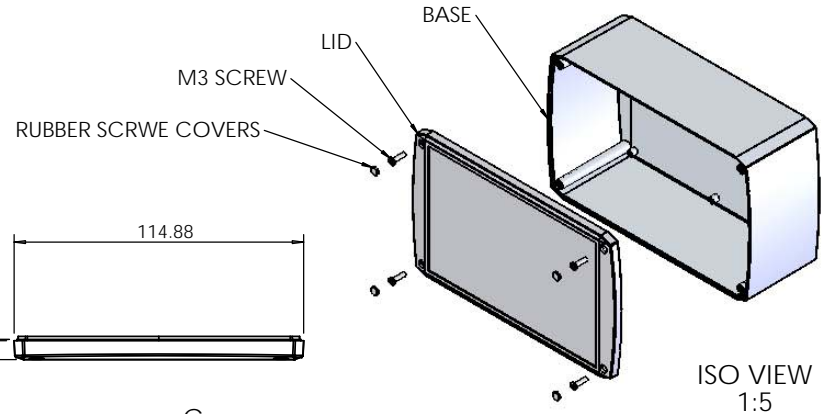
OVERALL ASSEMBLY DIMENSIONS:

EXTERNAL - 190 x 155 x 75

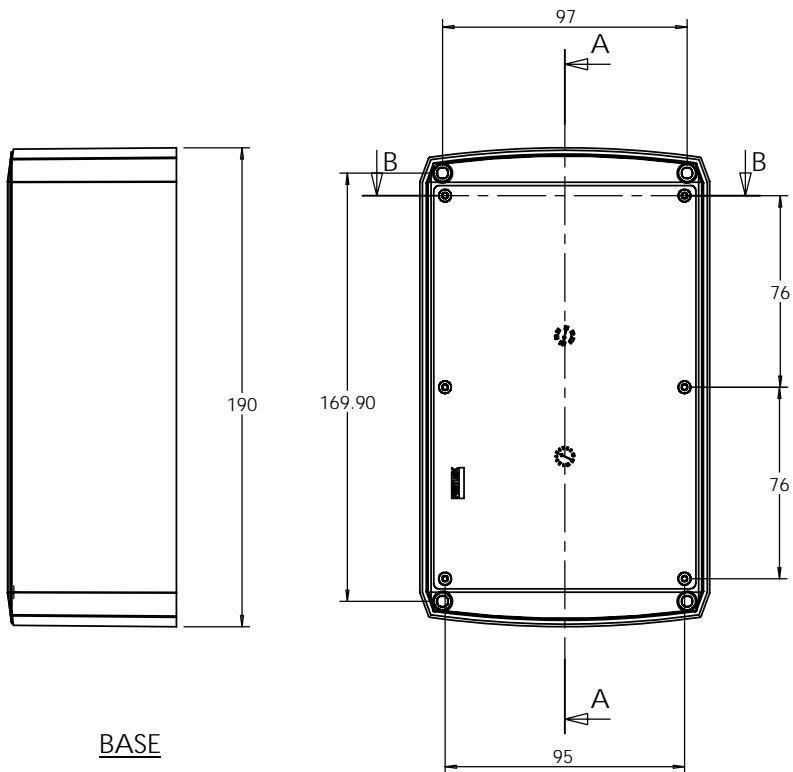
INTERNAL - 185 x 150 x 67.5



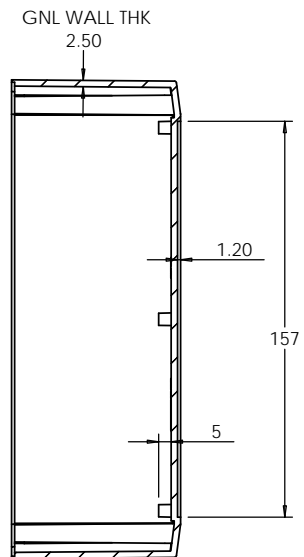
SECTION B-B



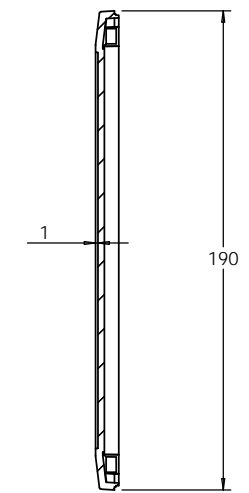
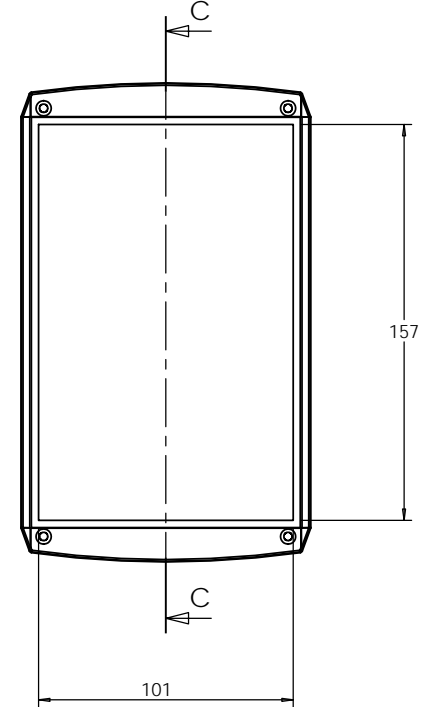
ISO VIEW 1:5



BASE

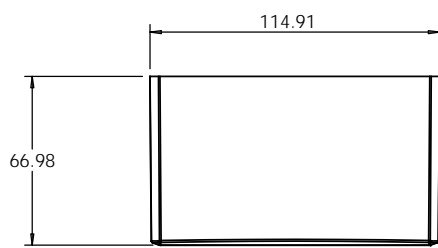


SECTION A-A



SECTION C-C

LID



		UNLESS OTHERWISE SPECIFIED: DIMENSIONS ARE IN MILLIMETERS		DO NOT SCALE DRAWING	REVISION: 0
		FINISH: SMOOTH		TITLE: GNL ASSEMBLY DRG FOR 1101 SERIES - 33101005	
JAMES CARTER RD, MILDENHALL, SUFFOLK. IP28 7DE TEL: 01638 716101 FAX: 01638 716554 EMAIL: SALES@BOSS-ENCLOSURES.CO.UK WEB: WWW.BOSS-ENCLOSURES.CO.UK		MATERIAL: ABS	DWG NO. 33101005	A4	
DRAWN: S.HARDINGE	SIGNED: SJH	DATE: 02/07/08	PROJECTION:	SCALE: 1:3	SHEET 1 OF 1