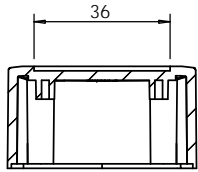


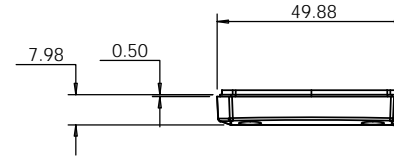
OVERALL ASSEMBLY DIMENSIONS:

EXTERNAL - 90 x 50 x 35

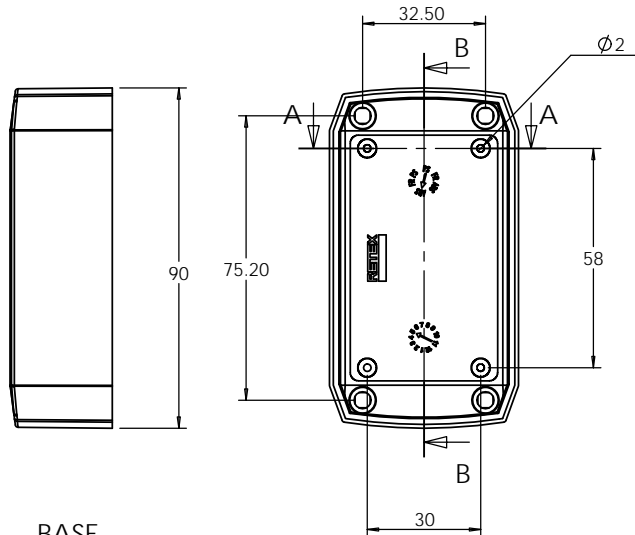
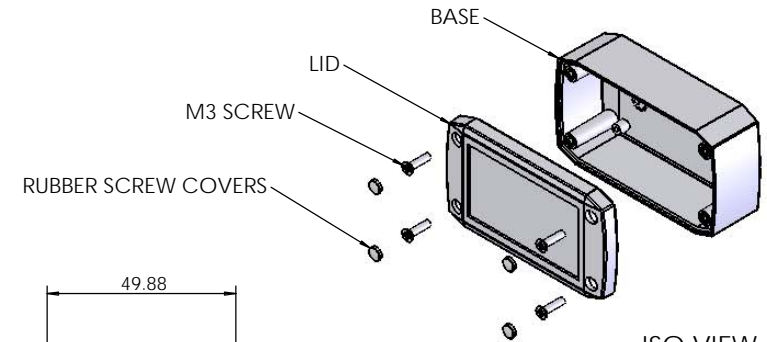
INTERNAL - 85 x 45 x 27.5



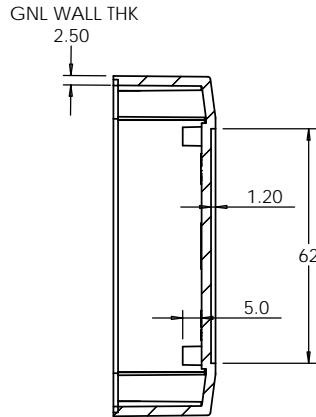
SECTION A-A



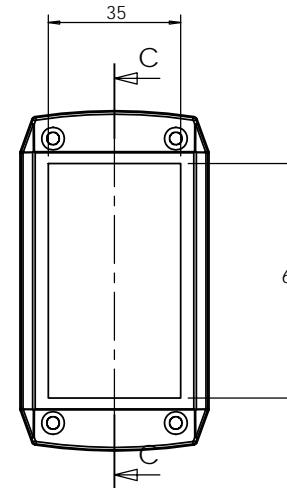
ISO VIEW
1:3



BASE

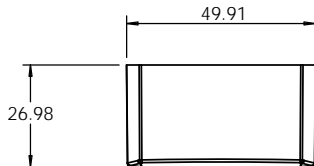


SECTION B-B



SECTION C-C

LID



<p>JAMES CARTER RD, MILDENHALL, SUFFOLK. IP28 7DE TEL: 01638 716101 FAX: 01638 716554 EMAIL: SALES@BOSS-ENCLOSURES.CO.UK WEB: www.BOSS-ENCLOSURES.CO.UK</p>				UNLESS OTHERWISE SPECIFIED: DIMENSIONS ARE IN MILLIMETERS		DO NOT SCALE DRAWING		REVISION. 0		
				FINISH: SMOOTH		TITLE: GNL ASSEMBLY DRG FOR 1102 SERIES - 33102001				
DRAWN S.HARDINGE		SIGNED SJH		DATE 01/07/08		MATERIAL. ABS & POLYCARBONATE		DWG NO. 33102001		A4
CHK'D -		-		-		PROJECTION. 		SCALE: 1:2		SHEET 1 OF 1