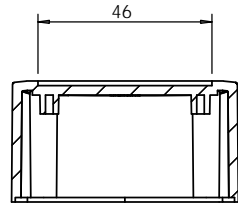


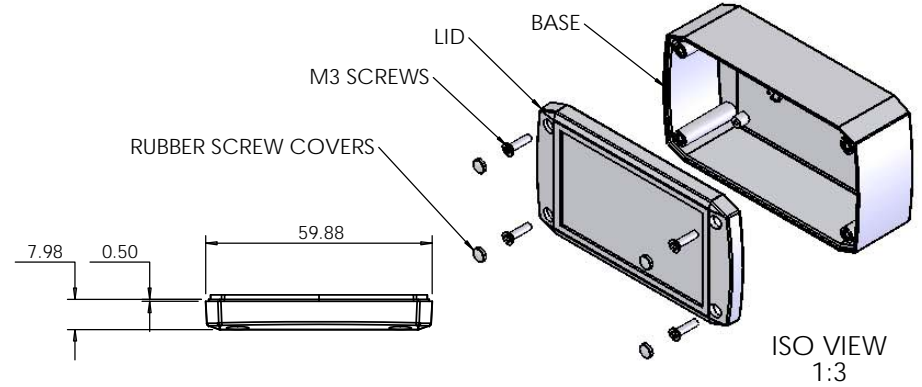
OVERALL ASSEMBLY DIMENSIONS:

EXTERNAL - 110 x 60 x 40

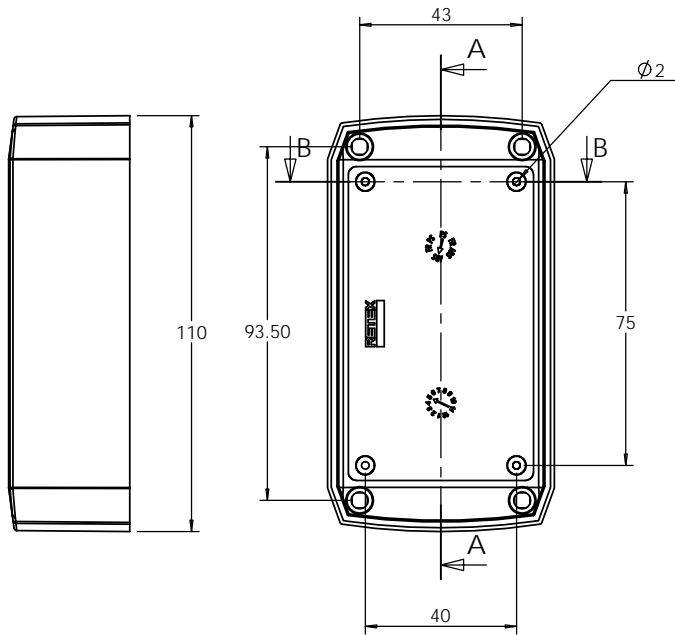
INTERNAL - 105 x 55 x 32.5



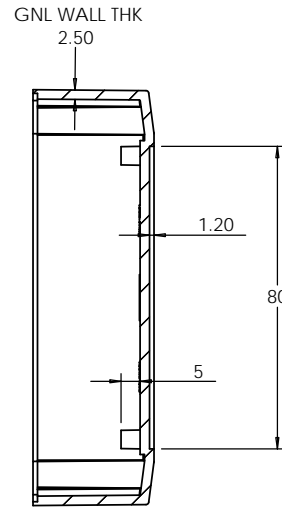
SECTION B-B



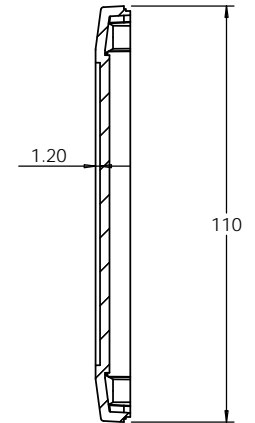
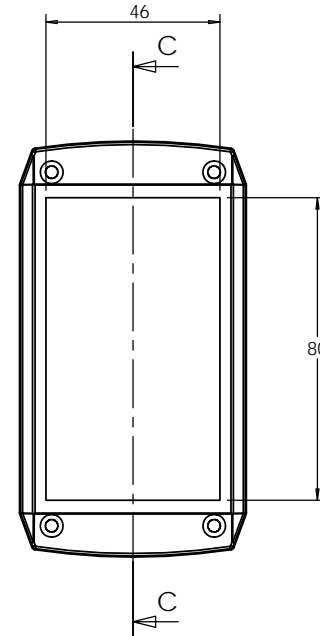
ISO VIEW  
1:3



BASE


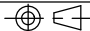


SECTION A-A



SECTION C-C

LID

 JAMES CARTER RD, MILDENHALL, SUFFOLK. IP28 7DE TEL: 01638 716101 FAX: 01638 716554 EMAIL: SALES@BOSS-ENCLOSURES.CO.UK WEB: www.BOSS-ENCLOSURES.CO.UK				UNLESS OTHERWISE SPECIFIED: DIMENSIONS ARE IN MILLIMETERS		DO NOT SCALE DRAWING		REVISION. 0		
				FINISH: <b>SMOOTH</b>		TITLE: <b>GNL ASSEMBLY DRG FOR 1102 SERIES - 33102002</b>				
DRAWN S.HARDINGE		SIGNED SJH		DATE 01/07/08		MATERIAL. ABS & POLYCARBONATE		DWG NO. <b>33102002</b>		A4
CHK'D -		-		-		PROJECTION. 		SCALE: 1:2		SHEET 1 OF 1