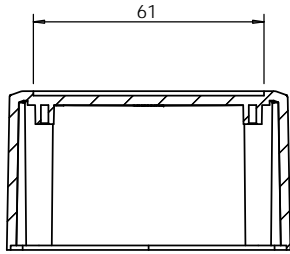


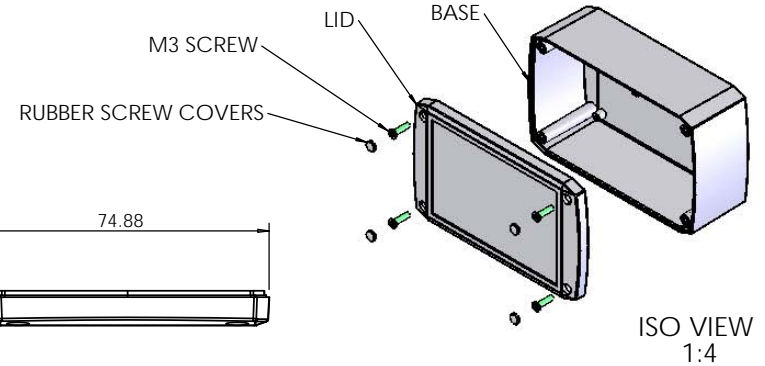
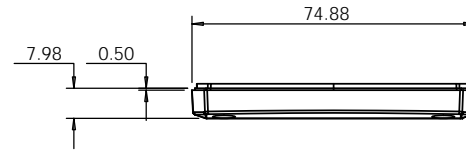
OVERALL ASSEMBLY DIMENSIONS:

EXTERNAL - 125 x 75 x 50

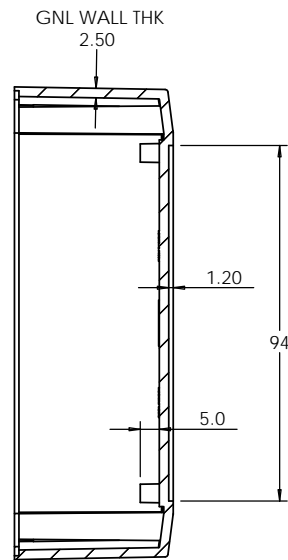
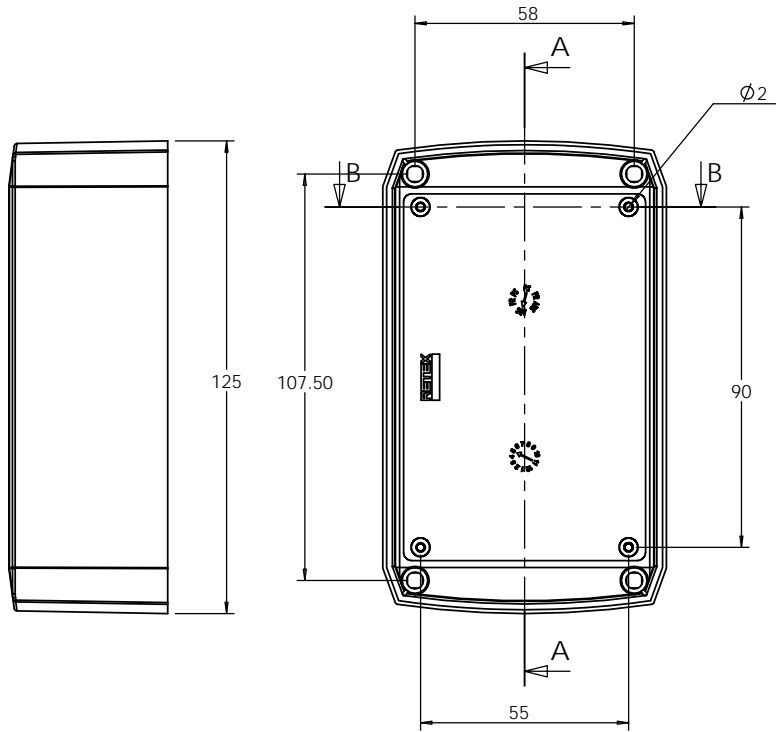
INTERNAL - 120 x 70 x 42.5



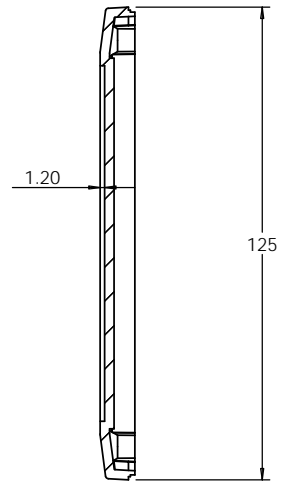
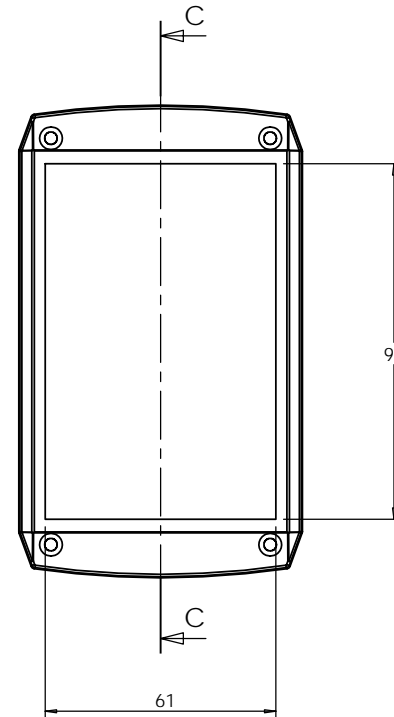
SECTION B-B



ISO VIEW
1:4

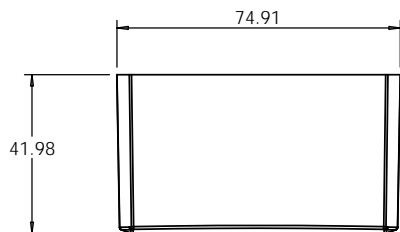


SECTION A-A



SECTION C-C

LID



BASE

<p>JAMES CARTER RD, MILDENHALL, SUFFOLK. IP28 7DE TEL: 01638 716101 FAX: 01638 716554 EMAIL: SALES@BOSS-ENCLOSURES.CO.UK WEB: WWW.BOSS-ENCLOSURES.CO.UK</p>				UNLESS OTHERWISE SPECIFIED: DIMENSIONS ARE IN MILLIMETERS		DO NOT SCALE DRAWING		REVISION. 0	
				FINISH: SMOOTH		TITLE: GNL ASSEMBLY DRG FOR 1102 SERIES - 33102003			
MATERIAL. ABS & POLYCARBONATE		DWG NO. 33102003		SCALE: 1:2		SHEET 1 OF 1		A4	
DRAWN	NAME S.HARDINGE	SIGNED SJH	DATE 02/07/08	PROJECTION.					
CHK'D	-	-	-						