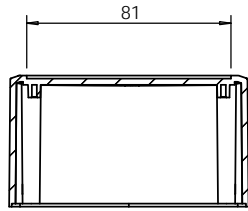
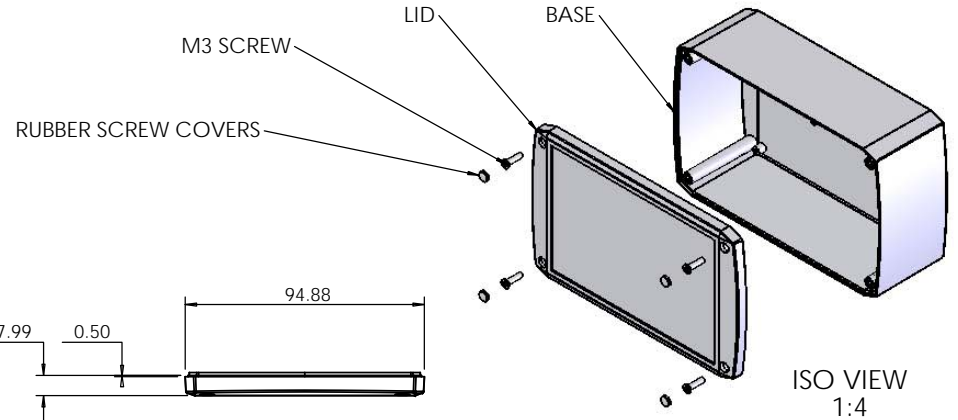


OVERALL ASSEMBLY DIMENSIONS:

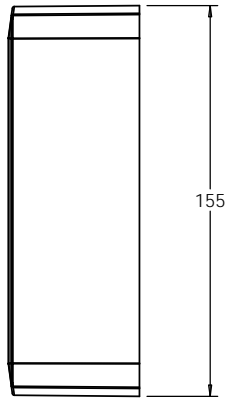
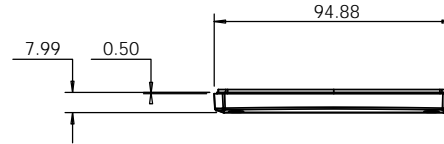
EXTERNAL - 155 x 95 x 60
INTERNAL - 150 x 90 x 52.5



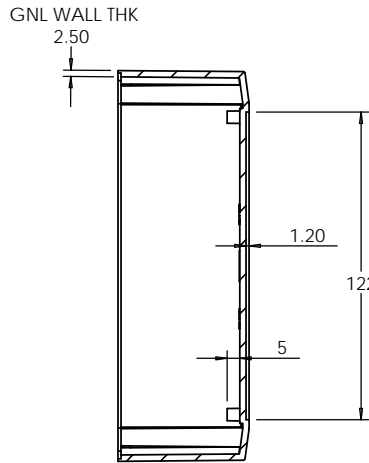
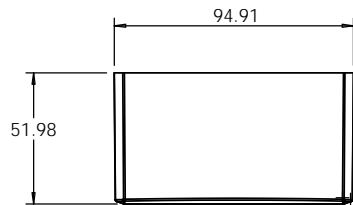
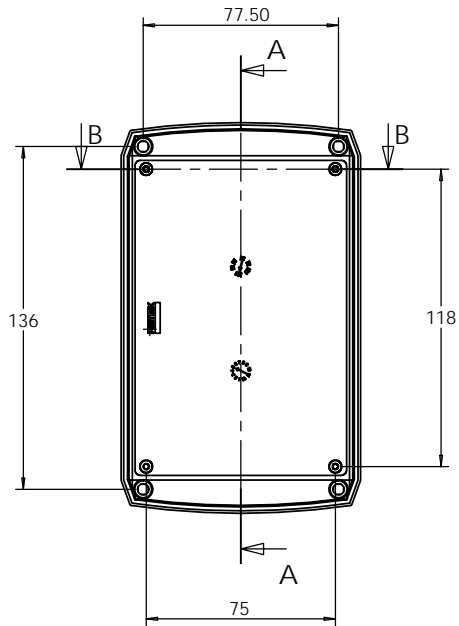
SECTION B-B



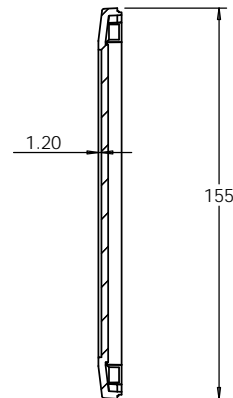
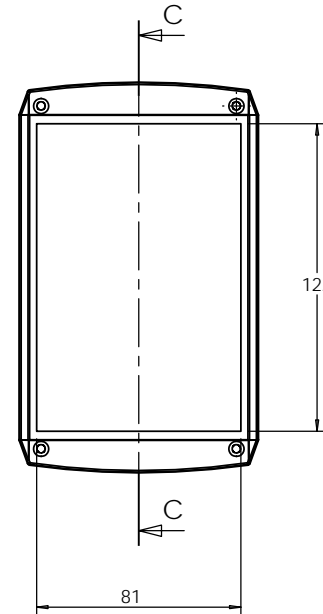
ISO VIEW
1:4



BASE



SECTION A-A



SECTION C-C

LID

		UNLESS OTHERWISE SPECIFIED: DIMENSIONS ARE IN MILLIMETERS		DO NOT SCALE DRAWING	REVISION. 0
		FINISH: SMOOTH		TITLE: GNL ASSEMBLY DRG FOR 1102 SERIES - 33102004	
JAMES CARTER RD, MILDENHALL, SUFFOLK. IP28 7DE TEL: 01638 716101 FAX: 01638 716554 EMAIL: SALES@BOSS-ENCLOSURES.CO.UK WEB: www.BOSS-ENCLOSURES.CO.UK		MATERIAL: ABS & POLYCARBONATE	DWG NO.	33102004	A4
DRAWN	S.HARDINGE	SJH	02/07/08	SCALE: 1:3	SHEET 1 OF 1
CHK'D	-	-	-	PROJECTION.	