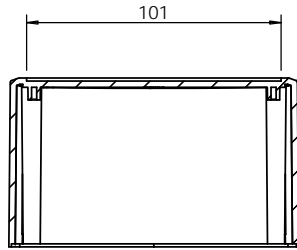


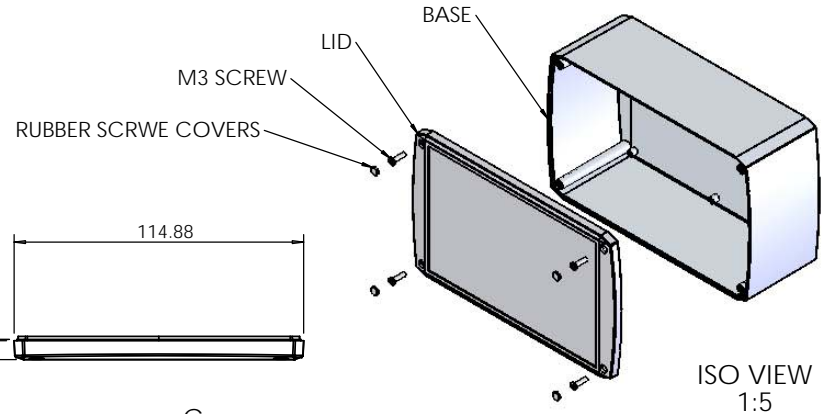
OVERALL ASSEMBLY DIMENSIONS:

EXTERNAL - 190 x 155 x 75

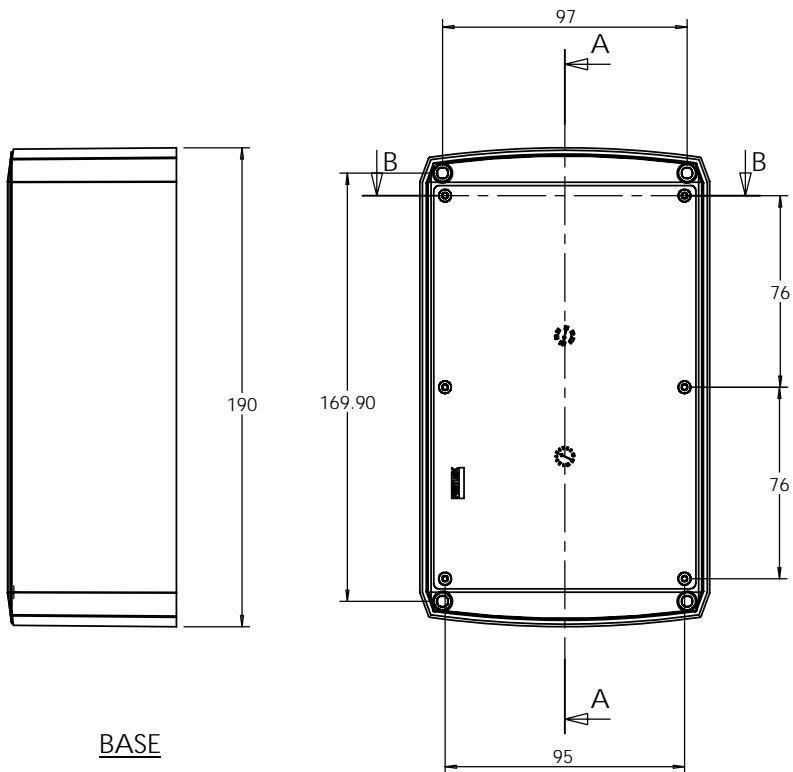
INTERNAL - 185 x 150 x 67.5



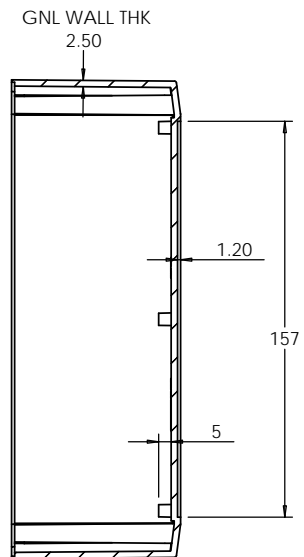
SECTION B-B



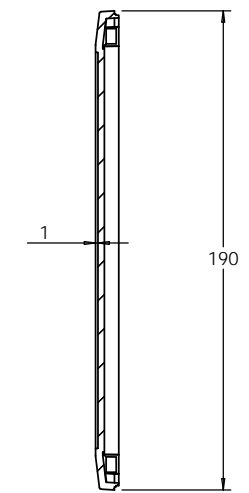
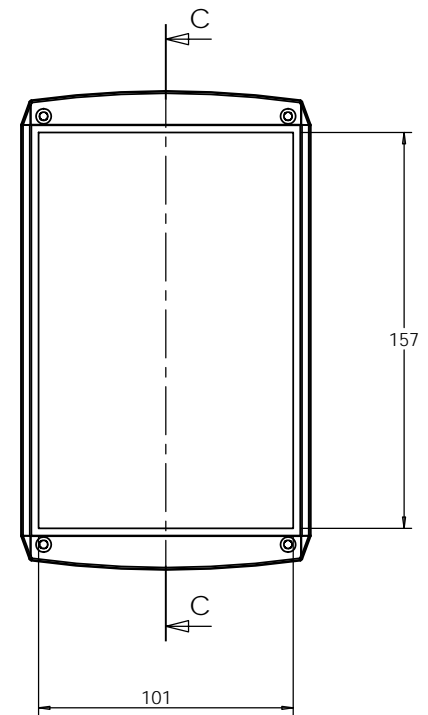
ISO VIEW
1:5



BASE

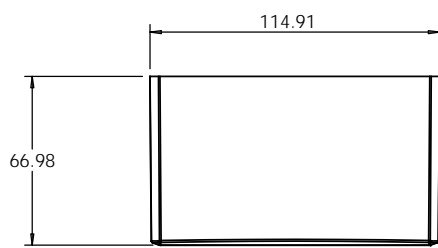


SECTION A-A



SECTION C-C

LID



| | | | | | | | | | | |
|--|--|---------------|--|--|--|---|--|----------------------------|--|--------------|
| <p>JAMES CARTER RD, MILDENHALL, SUFFOLK. IP28 7DE TEL: 01638 716101 FAX: 01638 716554 EMAIL: SALES@BOSS-ENCLOSURES.CO.UK WEB: www.BOSS-ENCLOSURES.CO.UK</p> | | | | UNLESS OTHERWISE SPECIFIED: DIMENSIONS ARE IN MILLIMETERS | | DO NOT SCALE DRAWING | | REVISION. 0 | | |
| | | | | FINISH: SMOOTH | | TITLE: GNL ASSEMBLY DRG FOR 1102 SERIES - 33102005 | | | | |
| DRAWN S.HARDINGE | | SIGNED SJH | | DATE 02/07/08 | | MATERIAL: ABS & POLYCARBONATE | | DWG NO. 33102005 | | A4 |
| CHK'D - | | - | | - | | PROJECTION. | | SCALE: 1:3 | | SHEET 1 OF 1 |