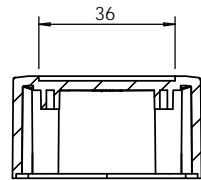


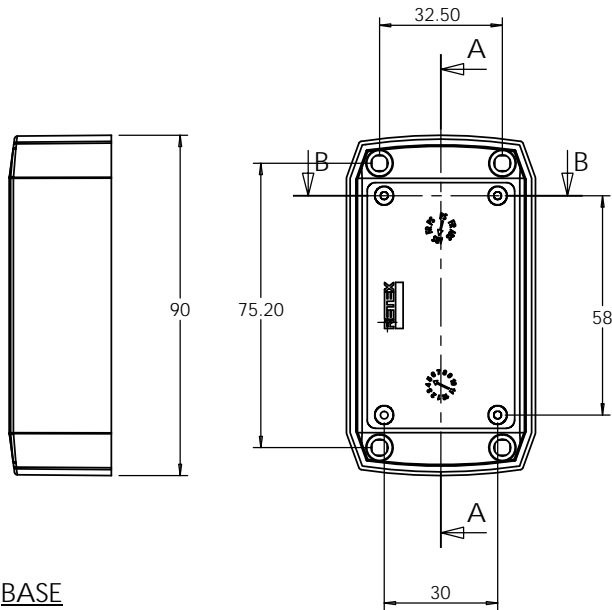
OVERALL ASSEMBLY DIMENSIONS:

EXTERNAL - 90 x 50 x 31

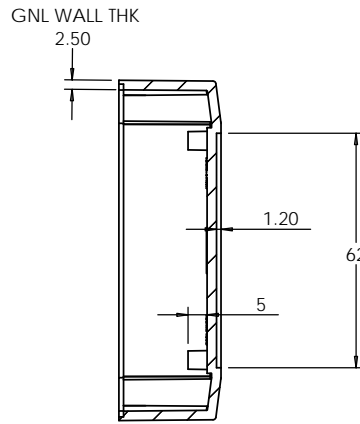
INTERNAL - 85 x 45 x 22



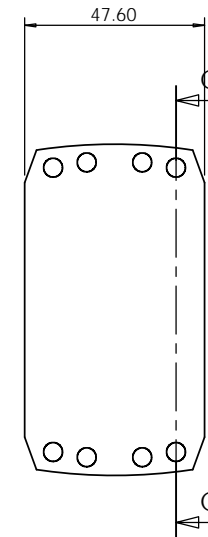
SECTION B-B



BASE

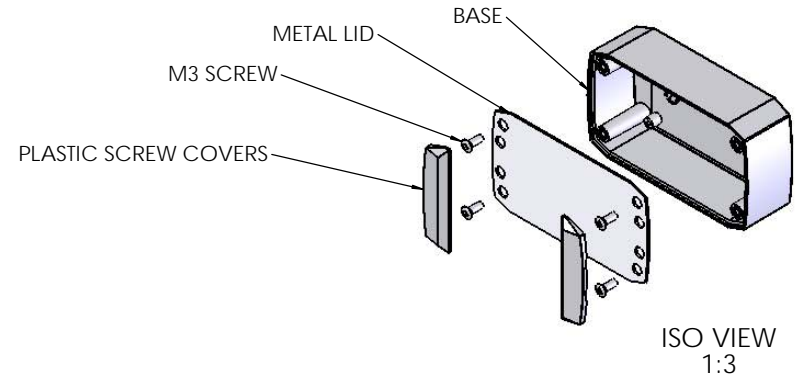


SECTION A-A

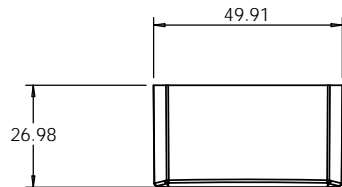



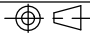
SECTION C-C

LID



ISO VIEW  
1:3



 JAMES CARTER RD, MILDENHALL, SUFFOLK. IP28 7DE TEL: 01638 716101 FAX: 01638 716554 EMAIL: SALES@BOSS-ENCLOSURES.CO.UK WEB: WWW.BOSS-ENCLOSURES.CO.UK				UNLESS OTHERWISE SPECIFIED: DIMENSIONS ARE IN MILLIMETERS		DO NOT SCALE DRAWING		REVISION. 0		
				FINISH: SMOOTH & ANODISED		TITLE: GNL ASSEMBLY DRG FOR 1103 SERIES - 3310301				
DRAWN S.HARDINGE		SIGNED SJH		DATE 02/07/08		MATERIAL. ABS & ALUMINIUM		DWG NO. 33103001		A4
CHK'D -		-		-		PROJECTION. 		SCALE. 1:2		SHEET 1 OF 1