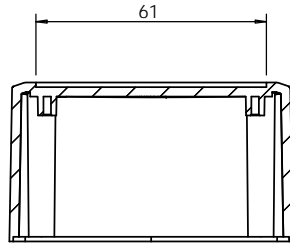


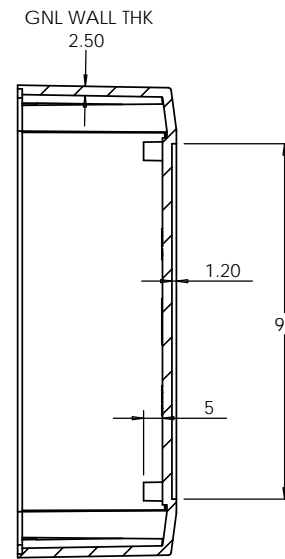
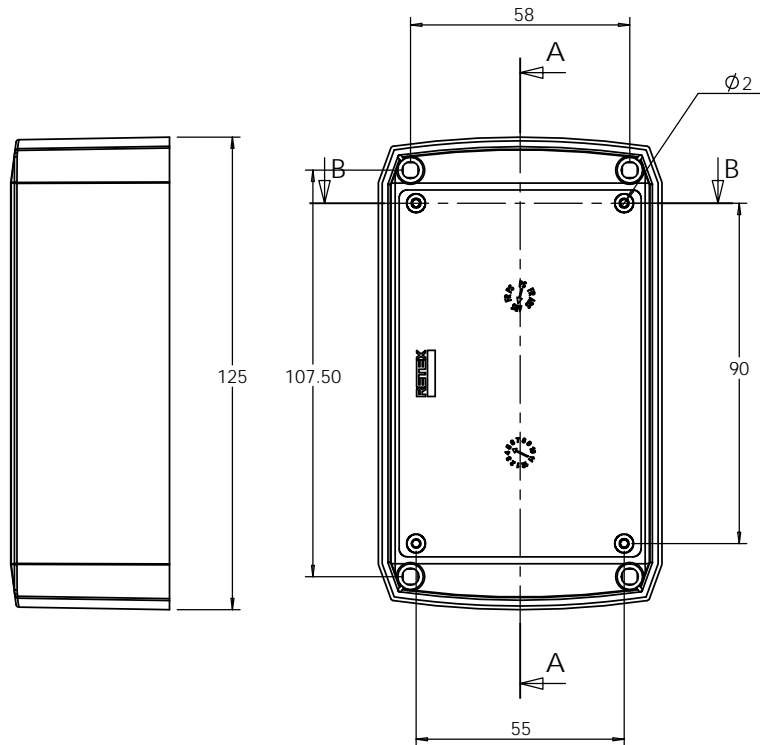
OVERALL ASSEMBLY DIMENSIONS:

EXTERNAL - 125 x 75 x 46

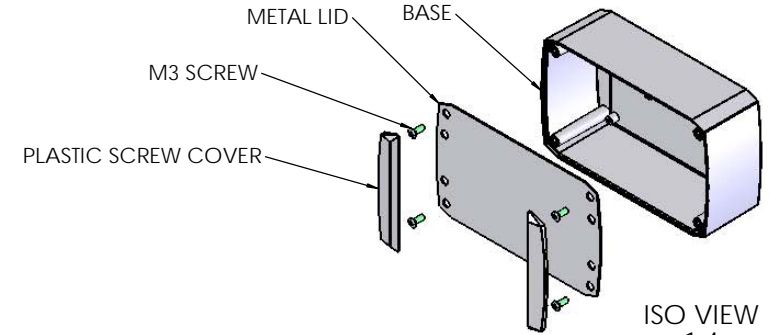
INTERNAL - 120 x 70 x 37



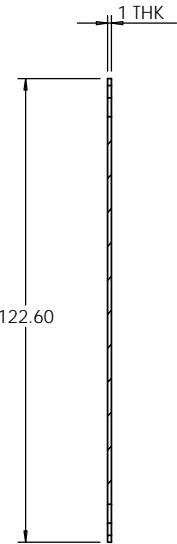
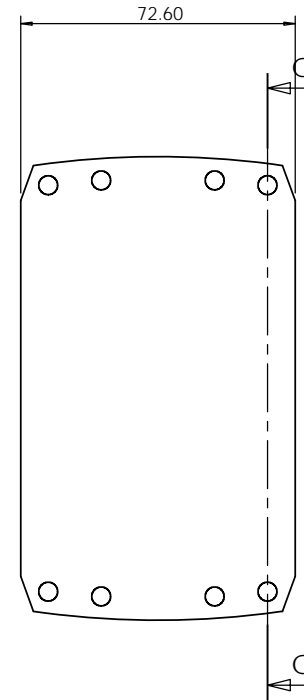
SECTION B-B



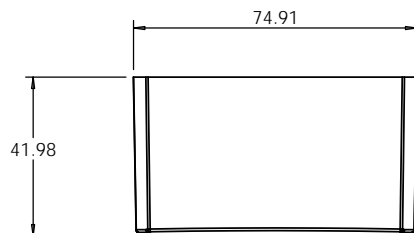
SECTION A-A


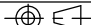


ISO VIEW
1:4



SECTION C-C



 JAMES CARTER RD, MILDENHALL, SUFFOLK. IP28 7DE TEL: 01638 716101 FAX: 01638 716554 EMAIL: SALES@BOSS-ENCLOSURES.CO.UK WEB: WWW.BOSS-ENCLOSURES.CO.UK				UNLESS OTHERWISE SPECIFIED: DIMENSIONS ARE IN MILLIMETERS		DO NOT SCALE DRAWING		REVISION. 0		
				FINISH: SMOOTH & ANODISED		TITLE: GNL ASSEMBLY DRG FOR 1103 SERIES - 33103003				
DRAWN S.HARDINGE		SIGNED SJH		DATE 02/07/08		MATERIAL. ABS & ALUMINIUM		DWG NO. 33103003		A4
CHK'D		-		-		PROJECTION. 		SCALE: 1:2		SHEET 1 OF 1